



CONTENT

Wet System Valves

Alarm Check Valves FAV-1	1
	2

Butterfly Valves

Wafer BWV-4	3
Groove BVG-7	4

Gate Valves & Post Indicator Valves

Outside Screw and Yoke (OS&Y) Flange OSF	5
Outside Screw and Yoke (OS&Y) Flange OSF-1	7
Outside Screw and Yoke (OS&Y) Groove OSG	9
Outside Screw and Yoke (OS&Y) Groove OSG-1	11
Non-Rising Stem (NRS) Flange NRFL-4	13
Non-Rising Stem (NRS) Groove NRGL-4	15
Non-Rising Stem (NRS) BS5163 Flange NRF5	17
Non-Rising Stem (NRS) BS5163 Groove NRG5	19
Bracket Kits (Supervision) NRF NRF-SB	21
Post Indicator Valve Flange PIF	22
Post Indicator Valve Groove PIG	24
Indicator Post Vertical IPV	26
Indicator Post Vertical IPV-1	28
Indicator Post Horizontal Wall IPW	29
Indicator Post Horizontal Wall IPW-1	31

Note: This document contains basic product information only. For more information, contact your local VIKING Sales Representative. Certificates, test reports and approvals may be published in the OEM name. The contents of this publication are subject to change without prior notice. All rights reserved. Images are purely for illustration only. Fireking™ is a trademark of The Viking Corporation.

Trusted above all.

The Viking Corporation (far East) Pte. Ltd. | 69 Tuas View Square, Westlink Techpark, Singapore 637621 | vikingapac@vikingcorp.com



CONTENT

Check Valves

Swing Flange SCF	32
Swing Groove SCG	34
Double Door Wafer DDW	36

Water Flow and Pressure Switches

Switches Water Flow WFS-A	37
Switches Pressure Switch PSW-A	38

Y Strainers

Flange YSF	39
Groove YSG	40

Pressure Control / Pressure Reducing Valves

Pressure Reducing FK-PRV3	41
Pressure Relief FK-RV	43

Flexible Sprinkler Hose

Braided & Unbraided VK25B & VK25N	45
Braided & Unbraided VK27B & VK27N	46
Braided & Unbraided VK29B & VK29N	47
Braided VK32B	48
Installation Instructions VK-B & VK-N	51
Braided S-Flex VK27SB	52
Braided S-Flex VK32SB	54
Braided S-Flex VK40SB	56
Installation Instructions S-Flex VK-SB	57

Note: This document contains basic product information only. For more information, contact your local VIKING Sales Representative. Certificates, test reports and approvals may be published in the OEM name. The contents of this publication are subject to change without prior notice. All rights reserved. Images are purely for illustration only. Fireking™ is a trademark of The Viking Corporation.

Trusted above all.

The Viking Corporation (far East) Pte. Ltd. | 69 Tuas View Square, Westlink Techpark, Singapore 637621 | vikingapac@vikingcorp.com





Wet System Valves | Alarm Check Valves | FAV-1



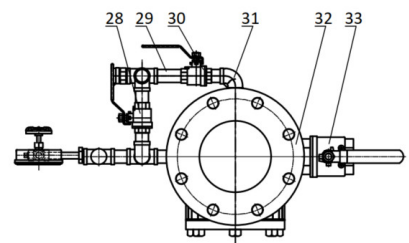
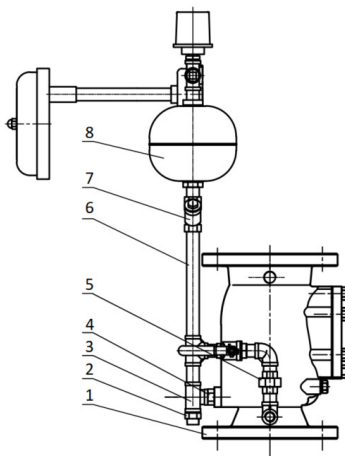
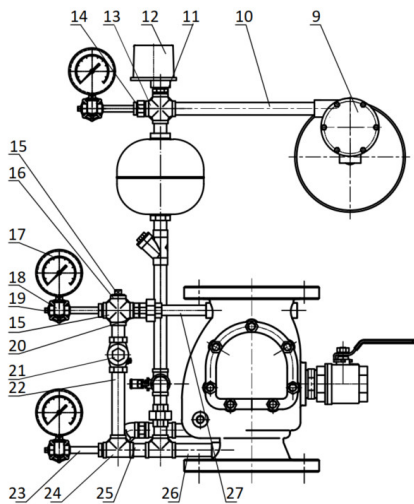
SPECIFICATIONS

Sizes	2"/DN50, 2½"/DN65, 3"/DN80, 4"/DN100, 5"/DN125, 6"/DN150, 8"/DN200, 10"/DN250, 12"/DN300
Working Pressure	300psi / 20.7bar
Temperature Range	4°C to 70°C (39°F to 158°F)
Connection (Model)	Flange x Flange (FAV-1-FF) Flange x Groove (FAV-1-FG) Groove x Flange (FAV-1-GF) Groove x Groove (FAV-1-GG)
Flange Standards	ANSI 125 / 150, PN16, GB/T9113.1
Groove Standard	AWWA C606, ISO 6182-12
Valve Body	Ductile Iron
Finish	Epoxy Powder Coated (Interior & Exterior)
Approvals	UL, FM

Product Parts, Materials & Standard

No	Description	Material Standard	Qty
1	Alarm Check Valve	-	1
2	Orifice	C954 / SS304	1
3	Tee	Steel / SS304	2
4	Nipple	Steel / SS304	6
5	Union	Steel / SS304	1
6	Nipple	Steel / SS304	1
7	Y Strainer	C954 / SS304	1
8	Retard Chamber	Steel	1
9	Water Gong Assembly	-	1
10	Nipple	Steel / SS304	1
11	Reducer Bushing	Steel / SS304	1
12	Pressure Switch	-	1
13	Cross	Steel / SS304	1
14	Reducer Bushing	Steel / SS304	1
15	Plug	Steel / C954 / SS304	1
16	Cross	Steel / SS304	2
17	Pressure Gauge	-	3

No	Description	Material Standard	Qty
18	3-way Valve	C954 / SS304	3
19	Plug	Steel / C954 / SS304	3
20	Orifice	C954 / SS304	1
21	Check Valve	C954 / SS304	1
22	Nipple	Steel / SS304	1
23	Nipple	Steel / SS304	3
24	Tee	Steel / SS304	2
25	Nipple	Steel / SS304	4
26	Nipple	Steel / SS304	1
27	Nipple	Steel / SS304	1
28	Ball Valve	C954 / SS304	1
29	Nipple	Steel / SS304	1
30	Ball Valve	C954 / SS304	1
31	Elbow	Steel / SS304	2
32	Nipple	Steel / SS304	1
33	Ball Valve	C954 / SS304	1



Note: This document contains basic product information only. For more information, contact your local VIKING Sales Representative. Certificates, test reports and approvals may be published in the OEM name. The contents of this publication are subject to change without prior notice. All rights reserved. Images are purely for illustration only. Fireking™ is a trademark of The Viking Corporation.

Trusted above all.

The Viking Corporation (far East) Pte. Ltd. | 69 Tuas View Square, Westlink Techpark, Singapore 637621 | vikingapac@vikingcorp.com

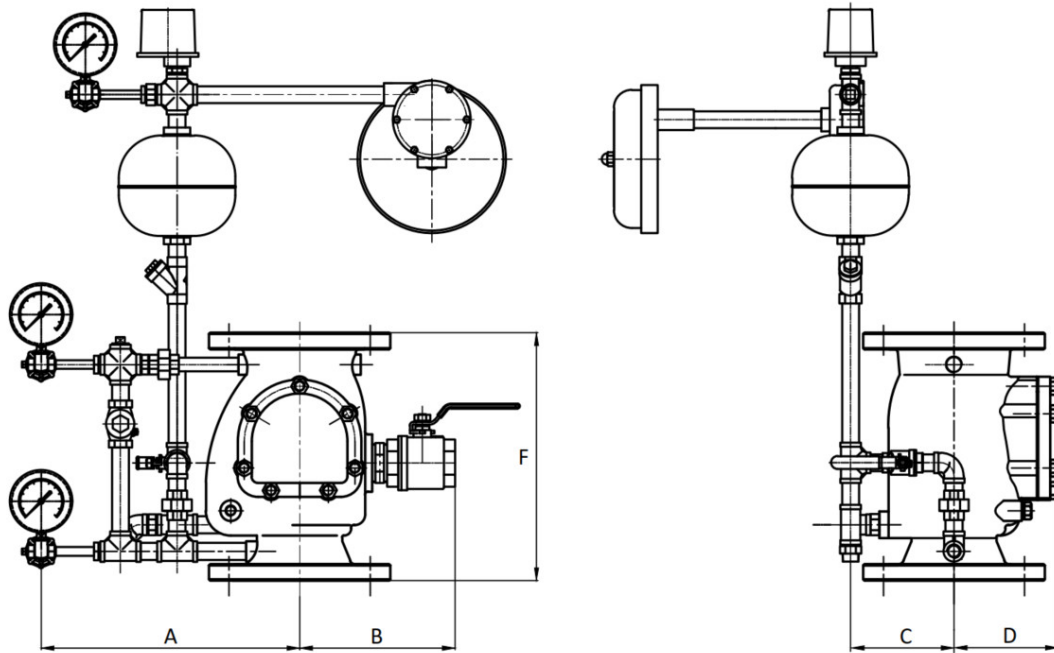




Wet System Valves | Alarm Check Valves | FAV-1

Part Numbers & Dimensions (mm)

Size		Valve Part Numbers			Retard Chamber PN	Water Gong PN	Dimensions (mm)			
DN	Inches	Flange x Flange	Groove x Groove	Flange x Groove			A	B	C	D
DN50	2"	FAV-1-50FF	FAV-1-50GG	FAV-1-50FG	FRC	WMA-F	340	205	145	110
DN65	2½"	FAV-1-65FF	FAV-1-65GG	FAV-1-65FG			340	205	145	110
DN80	3"	FAV-1-80FF	FAV-1-80GG	FAV-1-80FG			340	205	145	110
DN100	4"	FAV-1-100FF	FAV-1-100GG	FAV-1-100FG			342	250	160	136
DN125	5"	FAV-1-125FF	FAV-1-125GG	FAV-1-125FG			349	274	180	162
DN150	6"	FAV-1-150FF	FAV-1-150GG	FAV-1-150FG			349	274	180	162
DN200	8"	FAV-1-200FF	FAV-1-200GG	FAV-1-200FG			415	290	205	195
DN250	10"	FAV-1-250FF	FAV-1-250GG	FAV-1-250FG			475	340	240	235
DN350	12"	FAV-1-300FF	FAV-1-300GG	FAV-1-300FG			495	368	270	270



Note: This document contains basic product information only. For more information, contact your local VIKING Sales Representative. Certificates, test reports and approvals may be published in the OEM name. The contents of this publication are subject to change without prior notice. All rights reserved. Images are purely for illustration only. Fireking™ is a trademark of The Viking Corporation.

Trusted above all.

The Viking Corporation (far East) Pte. Ltd. | 69 Tuas View Square, Westlink Techpark, Singapore 637621 | vikingapac@vikingcorp.com





Butterfly Valves | Wafer | BWV-4

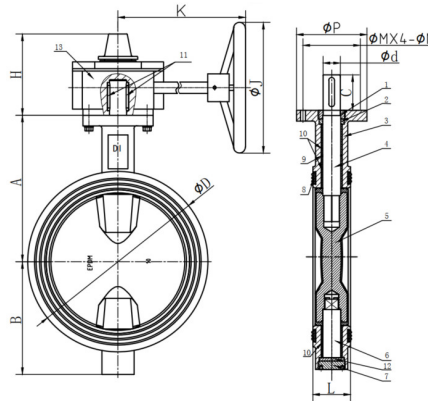


SPECIFICATIONS

Sizes	2"/DN50, 2½"/DN65, 3"/DN80, 4"/DN100, 5"/DN125, 6"/DN150, 8"/DN200, 10"/DN250, 12"/DN300
Working Pressure	300psi / 20.7bar
Test Pressure	600psi / 24bar (maximum)
Operation	Gear Operated
Finish	Epoxy Powder Coated
Application	Indoor and outdoor
IP Rating	IP65
Contact Rating	250VA 3A, 24VDC 2A
Supervisory Switches	1 Supervisory Switch (Internal) 1 Auxiliary Switch (Internal)
Approvals	UL (2" to 12"), FM (2½" to 8")

Product Parts, Materials & Standard

Description	Material	Specification
Upper Shaft Sealing Nut	WCB	ASTM A216
Shaft Seal	EPDM	ASTM D2000
Body	DI	ASTM A536
Upper Shaft	SS416	ASTM A582
Disc	DI + EPDM	ASTM D2000
Lower Shaft	SS416	ASTM A582
Lower Shaft Sealing Nut	WCB	ASTM A216
End face Seal	EPDM	ASTM D2000
Stem Bushing	PTFE/C954	PTFE/C954
Signal Gearbox	DI	ASTM A536



Carried Standard	
Design Standard	API609
Face to Face Standard	ASME B16.10
Top Flange Standard	ISO 5211
Test Standard	FM 1112 / UL1091

Product Data & Part Numbers

Size		Reference	A	B	C	D	H	K	J	P	M	N	d	L	
Metric	Imperial														
DN50	2"	BVW-4-050	110	85	32	100	111	153	218	152	90	70	9	10	42.0
DN65	2½"	BVW-4-650	125	95	32	112	111	153	218	152	90	70	9	10	44.2
DN80	3"	BVW-4-080	140	100	32	120	111	153	218	152	90	70	9	11	45.3
DN100	4"	BVW-4-100	160	100	32	161	111	153	218	152	90	70	9	14	52.0
DN125	5"	BVW-4-125	170	125	32	182	111	153	218	152	90	70	9	14	54.4
DN150	6"	BVW-4-150	190	140	32	216	111	153	218	200	90	70	9	16	55.8
DN200	8"	BVW-4-200	230	175	32	260	126	210	232	300	125	102	12	19	60.5
DN250	10"	BVW-4-250	260	200	45	320	126	210	232	300	125	102	12	24	66.5
DN300	12"	BVW-4-300	300	240	45	375	161	249	249	300	150	125	14	26	76.9

Note: This document contains basic product information only. For more information, contact your local VIKING Sales Representative. Certificates, test reports and approvals may be published in the OEM name. The contents of this publication are subject to change without prior notice. All rights reserved. Images are purely for illustration only. Fireking™ is a trademark of The Viking Corporation.

Trusted above all.

The Viking Corporation (far East) Pte. Ltd. | 69 Tuas View Square, Westlink Techpark, Singapore 637621 | vikingapac@vikingcorp.com





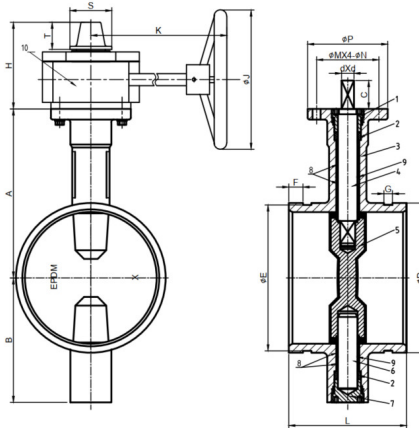
Butterfly Valves | Groove | BVG-7



SPECIFICATIONS	
Sizes	2"/DN50, 2½"/DN65, 3"/DN80, 4"/DN100, 5"/DN125, 6"/DN150, 8"/DN200, 10"/DN250, 12"/DN300
Working Pressure	300psi / 20.7bar
Test Pressure	600psi / 24bar (maximum)
Operation	Gear Operated
Finish	Epoxy Powder Coated
Application	Indoor and outdoor
IP Rating	IP65
Contact Rating	250VA 3A, 24VDC 2A
Supervisory Switches	1 Supervisory Switch (Internal) 1 Auxiliary Switch (Internal)
Approvals	UL (2" to 12"), FM (2½" to 8")

Product Parts, Materials & Standard

Description	Material	Specification
Upper Shaft Sealing Nut	WCB	ASTM A216
Shaft Seal	EPDM	ASTM D2000
Body	DI	ASTM A536
Upper Shaft	SS416	ASTM A582
Disc	DI + EPDM	ASTM D2000
Lower Shaft	SS416	ASTM A582
Lower Shaft Sealing Nut	WCB	ASTM A216
End face Seal	EPDM	ASTM D2000
Stem Bushing	PTFE/C954	PTFE/C954
Signal Gearbox	DI	ASTM A536



Carried Standard	
Design Standard	API609
Face to Face Standard	ASME B16.10
Top Flange Standard	ISO 5211
Test Standard	FM 1112 / UL1091

Product Data & Part Numbers

Size		A	B	C	D	E	F	G	H	K	J	P	M	N	d	L	
Metric	Imperial																
DN50	2"	110	85	32	60.3	57.2	15.9	7.9	111	218	153	152	90	70	9	10	88
DN65	2½"	125	95	32	73.0	69.1	15.9	7.9	111	218	153	152	90	70	9	10	96.4
					76.1	72.3											
DN80	3"	140	100	32	88.9	84.9	15.9	7.9	111	218	153	152	90	70	9	11	97
DN100	4"	160	100	32	14.3	110.1	15.9	9.5	111	218	153	152	90	70	9	14	115.1
DN125	5"	170	125	32	139.7	135.5	15.9	9.5	111	218	153	152	90	70	9	14	132.4
					141.3	137.0											
DN150	6"	190	140	32	165.1	160.9	15.9	9.5	111	218	153	200	90	70	9	16	132.4
					168.3	164.0											
DN200	8"	230	175	32	216.3	211.6	19	11.1	126	232	210	300	90	102	12	19	147.4
					219.1	214.4											
DN250	10"	260	200	45	267.4	262.6	19	12.7	126	232	210	300	125	102	12	24	159
					273.0	268.3											
DN350	12"	300	240	45	318.5	312.9	19	12.7	161	249	249	350	150	125	14	26	165
					323.8	318.3											

Note: This document contains basic product information only. For more information, contact your local VIKING Sales Representative. Certificates, test reports and approvals may be published in the OEM name. The contents of this publication are subject to change without prior notice. All rights reserved. Images are purely for illustration only. Fireking™ is a trademark of The Viking Corporation.

Trusted above all.

The Viking Corporation (far East) Pte. Ltd. | 69 Tuas View Square, Westlink Techpark, Singapore 637621 | vikingapac@vikingcorp.com

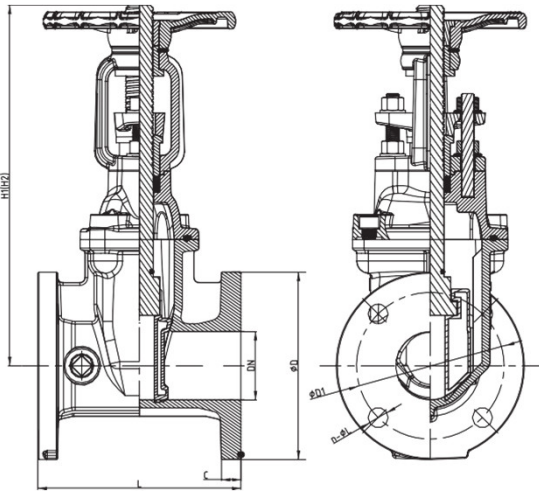




Gate Valves | Outside Screw & Yoke (OS&Y) | Flange | OSF, OSF2, OSF3



SPECIFICATIONS	
Sizes	2"/DN50, 2½"/DN65, 3"/DN80, 4"/DN100, 5"/DN125, 6"/DN150, 8"/DN200, 10"/DN250, 12"/DN300, 14"/DN350, 16"/DN400, 18"/DN450, 20"/DN500 & 24"/DN600
Working Pressure	300 psi / 21bar (2"-12") 250 psi / 17 bar (14"-24")
Seat type	Resilient wedge
Finish	Fusion bonded epoxy coated internal & external
Material (body)	Ductile iron
Connections	Grooved metric or AWWA C606 standard
Specifications	Design and dimensions conform to AWWA C515
Features	Pre-notched, stainless-steel stem for easy attachment of supervisory switch
Approvals	UL & FM, 5" : UL Listed only 14"-24" : UL & FM as OSF2 (ANSI Flange) & OSF3 (PN16 Flange)



Product Data & Part Numbers

Part Number*			Nominal Pipe Size		Dimensions (mm)											Weight (kg)
ANSI	PN10	PN16	Metric	Imperial	L	H1 (Closed)	H2 (Open)	D	C	D1			n-ØL			
										ANSI	PN16	PN10	ANSI	PN16	PN10	
OSF-0200	OSF-0200PN		DN50	2"	178	348	400	152	16.0	120.7	125	4-Ø19.1			14.7	
OSF-0250	OSF-0250PN		DN65	2½"	190	373	440	178	17.5	139.7	145	4-Ø19.1			17.7	
OSF-0300	OSF-0300PN		DN80	3"	203	408	490	191	19.1	152.4	160	4-Ø19.1	8-Ø19.1		23.1	
OSF-0400	OSF-0400PN		DN100	4"	229	471	573	229	19.1	190.5	180	8-Ø19.1	8-Ø19.1		31.6	
OSF-0500**	OSF-0500PN**		DN125	5"	254	541	665	254	19.1	215.9	210	8-Ø22.2	8-Ø19.1		42.2	
	OSF-0600		DN150	6"	267	601	755	279	19.1	241.3	240	8-Ø22.2	8-Ø23		53.2	
OSF-0800	OSF-0800PN10	OSF-0800PN16	DN200	8"	292	774	975	343	22.2	298.5	295	8-Ø22.2	12-Ø23	8-Ø23	91.3	
OSF-1000	OSF-1000PN10	OSF-1000PN16	DN250	10"	330	939	1193	406	23.8	362.0	355	350	12-Ø25.4	12-Ø28	12-Ø23	134.6
OSF-1200	OSF-1200PN10	OSF-1200PN16	DN300	12"	356	1065	1370	483	25.0	431.8	410	400	12-Ø25.4	12-Ø28	12-Ø23	200.0
OSF-1400	-	OSF-1400PN16	DN350	14"	381	1210	1560	533	25.0	476	470	-	12-Ø28.6	16-Ø26	-	344.0
OSF-1600	-	OSF-1600PN16	DN400	16"	406	1280	1680	597	25.0	540	525	-	16-Ø28.7	16-Ø30	-	356.0
OSF-1800	-	OSF-1800PN16	DN450	18"	432	1760	2210	635	25.0	578	585	-	16-Ø31.8	20-Ø30	-	532.0
OSF-2000	-	OSF-2000PN16	DN500	20"	457	1780	2280	699	29.0	635	650	-	20-Ø31.8	20-Ø33	-	567.0
OSF-2400	-	OSF-2400PN16	DN600	24"	508	1950	2550	813	30.0	749	770	-	20-Ø34.9	20-Ø36	-	785.0

* Valve flange drilling (size and location of bolt holes and pitch circle diameter) allows mating with the following flange types: ANSI = ANSI B16.1 Class 125 | PN10 = DIN 2501, BS 4504, EN 1092 - PN10 | PN16 = DIN 2501, BS 4504, EN 1092 - PN16
** UL Listed only

Note: This document contains basic product information only. For more information, contact your local VIKING Sales Representative. Certificates, test reports and approvals may be published in the OEM name. The contents of this publication are subject to change without prior notice. All rights reserved. Images are purely for illustration only. Fireking™ is a trademark of The Viking Corporation.

Trusted above all.

The Viking Corporation (far East) Pte. Ltd. | 69 Tuas View Square, Westlink Techpark, Singapore 637621 | vikingapac@vikingcorp.com

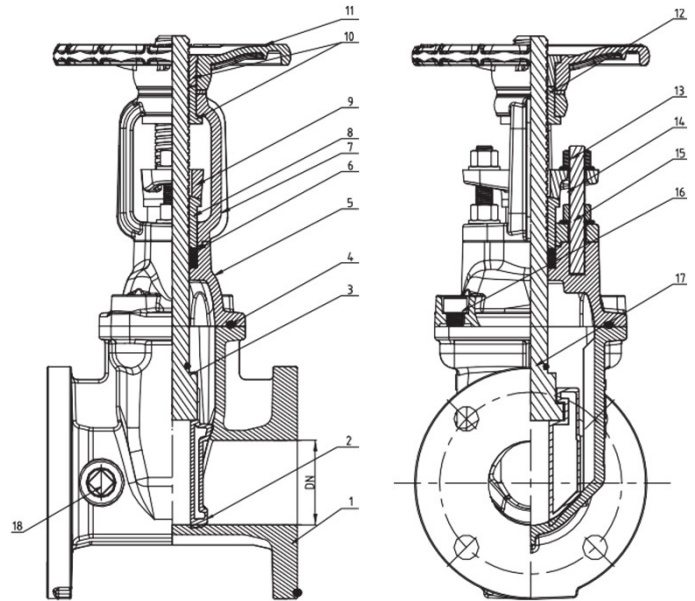




Gate Valves | Outside Screw & Yoke (OS&Y) | Flange | OSF, OSF2, OSF3

Product Parts, Materials & Standard

Item	Description	Material	Specification
1	Valve Body	Ductile Iron	ASTM A536, 65-45-12
2	Resilient Wedge Disc	Ductile Iron	ASTM A536, 65-45-12 & EPDM
3	Stem	Stainless Steel	AISI420
4	Bonnet Gasket	EPDM	Commercial
5	Bonnet	Ductile Iron	ASTM A536, 65-45-12
6	Stem Packing	EPDM	Commercial
7	Yoke	Ductile Iron	ASTM A536, 65-45-12
8	Stem Bushing	Brass	HPb59-1
9	Gland	Ductile Iron	ASTM A536, 65-45-12
10	Stem Nut	Brass	HPb59-1
11	Handwheel	Ductile Iron	ASTM A536, 65-45-12
12	Washer	Brass	CW617N
13	Gland Nut	Carbon Steel	Zinc Plated
14	Stud	Carbon Steel	Zinc Plated
15	Flat Washer	Carbon Steel	Zinc Plated
16	Bolt	Carbon Steel	Zinc Plated
17	O-Ring	NBR	Commercial
18	Plug	Bronze	ASTM B583 C89833



Installation

1. Piping systems and valves should be thoroughly cleaned and free from ingress of foreign materials.
2. Visually inspect the valve seating and ports for cleanliness immediately prior to installation.
3. All valves should be independently supported against movement and stress from the connected piping system.
4. Ensure that the valve pressure rating is compatible with service conditions.
5. Operate the valve at least once from the open to closed position.
6. Verify that packing nuts are tight before pressurizing the system.
7. Gate valves are not suitable for throttling applications.
8. Gate valves should be installed in the vertical position on horizontal pipework and in the horizontal position on vertical pipework.

Operation

Gate valves are manually operated multi-turn valves and are opened by a handwheel or other operating device, generally in a counter clockwise direction and then closed clockwise.

Inspection & Maintenance

1. Valves should be inspected periodically and should be cycled to prevent buildup of foreign materials in the piping system and valve body.
2. In the event of a packing leak adjust the packing nuts to increase pressure on the stem packing. Packing nuts should be tightening evenly approximately a quarter turn in a clockwise direction.
3. Always shut down the system before repacking the valve. Valves are designed with backseats for repacking under pressure but this is not recommended.

Closing torque for handwheel

Size		Closing Torque Nm
Metric	Inches	
DN50	2"	27
DN65	2½"	38
DN80	3"	65
DN100	4"	80
DN125	5"	100
DN150	6"	125
DN200	8"	160
DN250	10"	240
DN300	12"	300
DN350	14"	306
DN400	16"	374
DN450	18"	442
DN500	20"	578
DN600	24"	646

Note: This document contains basic product information only. For more information, contact your local VIKING Sales Representative. Certificates, test reports and approvals may be published in the OEM name. The contents of this publication are subject to change without prior notice. All rights reserved. Images are purely for illustration only. Fireking™ is a trademark of The Viking Corporation.

Trusted above all.

The Viking Corporation (far East) Pte. Ltd. | 69 Tuas View Square, Westlink Techpark, Singapore 637621 | vikingapac@vikingcorp.com





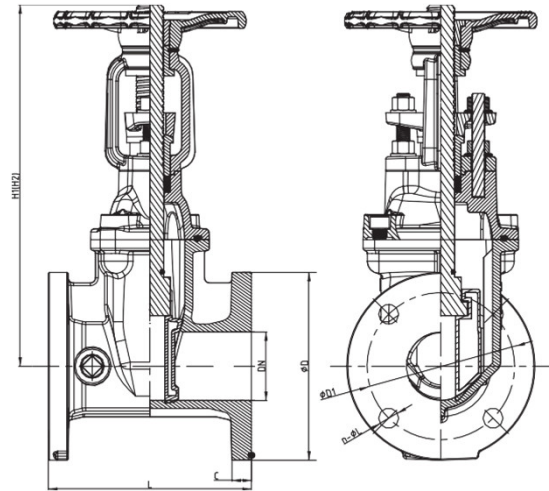
Gate Valves | Outside Screw & Yoke (OS&Y) | Flange | OSF-1



SPECIFICATIONS	
Sizes	2½"/DN65, 3"/DN80, 4"/DN100, 5"/DN125, 6"/DN150, 8"/DN200, 10"/DN250, 12"/DN300
Working Pressure	300 psi / 21bar
Working Temperature	-20°C to 100°C (-4°F to 230°F)
Seat type	Resilient wedge
Finish	Epoxy resin coated internal and external
Material (body)	Ductile iron
Connections	Flange diameter and thickness according to ANSI B16.1 Class 125 or EN1092-2 PN16
Specifications	Design and dimensions conform to AWWA C515
Approvals	UL, FM

Product Parts, Materials & Standard

Description	Material	Specification
Body	Ductile Iron	ASTM A536 65-45-12
Bonnet	Ductile Iron	ASTM A536 65-45-12
Grand	Ductile Iron	ASTM A536 65-45-12
Disc	Ductile Iron & EPDM	ASTM A536 65-45-12 & EPDM
Stem	SS304	ASTM A276
Nut	SS304	ASTM A276
Stud	SS304	ASTM A276
Flat Washer	SS304	ASTM A276
O-Ring	EPDM	ASTM D2000 EPDM
Sealing Ring	EPDM	ASTM D2000 EPDM
Sealing Gland	EPDM	ASTM D2000 EPDM
Retaining Ring	C95400	ASTM B148
Plug	C95400	ASTM B148



Product Data & Part Numbers

Size		Part Number*	Dimensions in mm						Weight (Kg)
Metric	Inch		L	D	**C (ANSI)	**C (PN16)	n-d	H	
DN65	2½"	OSF1-0250	190	178	139.5	145	4-19	370	21.0
DN80	3"	OSF1-0300	203	191	152.5	160	4-19	420	27.4
DN100	4"	OSF1-0400	229	229	190.5	180	4-19	447	34.5
DN125	5"	OSF1-0500	254	254	216.0	210	8-19	547	59.2
DN150	6"	OSF1-0600	267	279	241.5	240	8-22	607	59.2
DN200	8"	OSF1-0800	292	343	298.5	295	8-22	754	96.2
DN250	10"	OSF1-1000	330	406	362.0	355	12-25	890	142.0
DN300	12"	OSF1-1200	356	483	432.0	410	12-25	1031	193.0

* Applies to ANSI 125 Flanges. Other flange models will be denoted by a suffix (e.g. OSF1-0300PN16)

** C – Bolt Circle Diameter

Note: This document contains basic product information only. For more information, contact your local VIKING Sales Representative. Certificates, test reports and approvals may be published in the OEM name. The contents of this publication are subject to change without prior notice. All rights reserved. Images are purely for illustration only. Fireking™ is a trademark of The Viking Corporation.

Trusted above all.

The Viking Corporation (far East) Pte. Ltd. | 69 Tuas View Square, Westlink Techpark, Singapore 637621 | vikingapac@vikingcorp.com





Gate Valves | Outside Screw & Yoke (OS&Y) | Flange | OSF-1

Installation

1. Piping systems and valves should be thoroughly cleaned and free from ingress of foreign materials.
2. Visually inspect the valve seating and ports for cleanliness immediately prior to installation.
3. All valves should be independently supported against movement and stress from the connected piping system.
4. Ensure that the valve pressure rating is compatible with service conditions.
5. Operate the valve at least once from the open to closed position.
6. Verify that packing nuts are tight before pressurizing the system.
7. Gate valves are not suitable for throttling applications.
8. Gate valves should be installed in the vertical position on horizontal pipework and in the horizontal position on vertical pipework.

Operation

Gate valves are manually operated multi-turn valves and are opened by a handwheel or other operating device, generally in a counter clockwise direction and then closed clockwise.

Inspection & Maintenance

1. Valves should be inspected periodically and should be cycled to prevent buildup of foreign materials in the piping system and valve body.
2. In the event of a packing leak adjust the packing nuts to increase pressure on the stem packing. Packing nuts should be tightening evenly approximately a quarter turn in a clockwise direction.
3. Always shut down the system before repacking the valve. Valves are designed with backseats for repacking under pressure but this is not recommended.

Closing torque for handwheel

Size		Closing Torque	
Metric	Inch	Nm	lbf
DN50	2"	27	19.9
DN65	2½"	38	28.0
DN80	3"	65	47.9
DN100	4"	80	59.0
DN125	5"	100	73.8
DN150	6"	125	92.2
DN200	8"	160	118.0
DN250	10"	240	177.0
DN300	12"	300	221.3



Note: This document contains basic product information only. For more information, contact your local VIKING Sales Representative. Certificates, test reports and approvals may be published in the OEM name. The contents of this publication are subject to change without prior notice. All rights reserved. Images are purely for illustration only. Fireking™ is a trademark of The Viking Corporation.

Trusted above all.

The Viking Corporation (far East) Pte. Ltd. | 69 Tuas View Square, Westlink Techpark, Singapore 637621 | vikingapac@vikingcorp.com

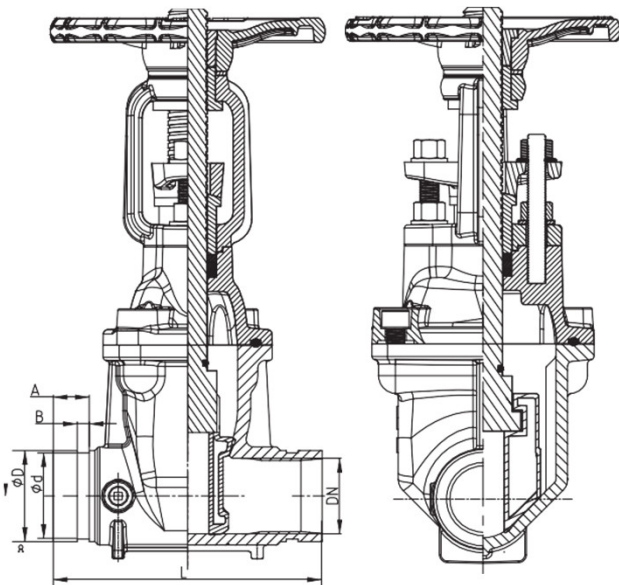




Gate Valves | Outside Screw & Yoke (OS&Y) | Groove | OSG



SPECIFICATIONS	
Sizes	2"/DN50, 2½"/DN65, 3"/DN80, 4"/DN100, 5"/DN125, 6"/DN150, 8"/DN200, 10"/DN250, 12"/DN300
Working Pressure	300 psi / 21bar
Seat type	Resilient wedge
Finish	Fusion bonded epoxy coated internal & external
Material (body)	Ductile iron
Connections	Grooved metric or AWWA C606 standard
Specifications	Design and dimensions conform to AWWA C515
Features	Pre-notched, stainless-steel stem for easy attachment of supervisory switch
Approvals	UL & FM (5" UL Only)



Product Data & Part Numbers

Part Number	Nominal Pipe Size		Pipe O.D. (mm)	Dimensions (mm)						Weight (Kg)
	inch	Metric		L	H1 (Closed)	H1 (Open)	d	A	B	
OSG-0200	2	DN50	60.3	178	348	400	57.2	15.9	7.9	11.4
OSG-0250-073	2½	DN65	73.0	190	373	440	69.1	15.9	7.9	12.5
OSG-0250-076			76.1				72.3			
OSG-0300	3	DN80	88.9	203	408	490	84.9	15.9	7.9	16.9
OSG-0400	4	DN100	114.3	229	471	573	110.1	15.9	9.5	24.2
OSG-0500-139*	5	DN125	139.7	254	541	665	135.5	15.9	9.5	33.5
OSG-0500-141*			141.3				137.0			
OSG-0600-165	6	DN150	165.1	267	601	755	160.9	15.9	9.5	41.3
OSG-0600-168			168.3				164.0			
OSG-0800	8	DN200	219.1	292	774	975	214.4	19.1	11.1	73.7
OSG-1000	10	DN250	273.0	330	939	1,193	268.3	19.1	12.7	124.3
OSG-1200	12	DN300	323.9	356	1,065	1,370	318.3	19.1	12.7	174.5

* UL Listed only

Note: This document contains basic product information only. For more information, contact your local VIKING Sales Representative. Certificates, test reports and approvals may be published in the OEM name. The contents of this publication are subject to change without prior notice. All rights reserved. Images are purely for illustration only. Fireking™ is a trademark of The Viking Corporation.

Trusted above all.

The Viking Corporation (far East) Pte. Ltd. | 69 Tuas View Square, Westlink Techpark, Singapore 637621 | vikingapac@vikingcorp.com

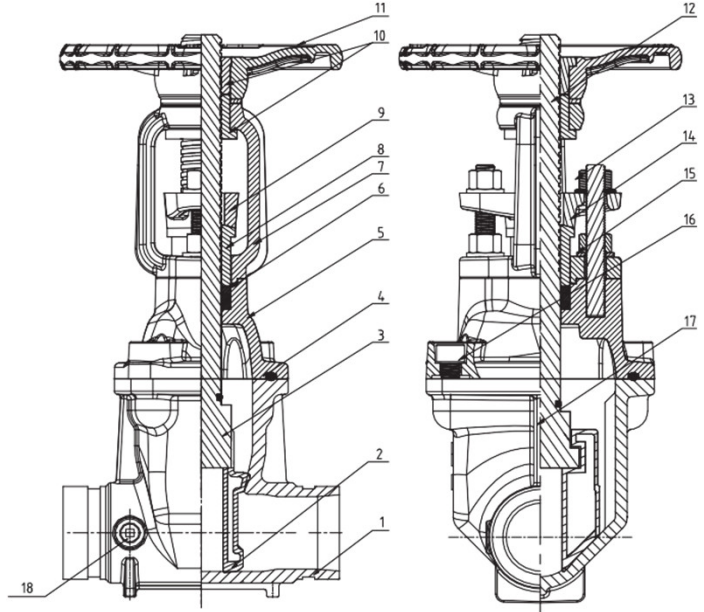




Gate Valves | Outside Screw & Yoke (OS&Y) | Groove | OSG

Product Parts, Materials & Standard

Item	Description	Material	Specification
1	Valve Body	Ductile Iron	ASTM A536, 65-45-12
2	Resilient Wedge Disc	Ductile Iron	ASTM A536, 65-45-12 & EPDM
3	Stem	Stainless Steel	AISI420
4	Bonnet Gasket	EPDM	Commercial
5	Bonnet	Ductile Iron	ASTM A536, 65-45-12
6	Stem Packing	EPDM	Commercial
7	Yoke	Ductile Iron	ASTM A536, 65-45-12
8	Stem Bushing	Brass	HPb59-1
9	Gland	Ductile Iron	ASTM A536, 65-45-12
10	Stem Nut	Brass	HPb59-1
11	Handwheel	Ductile Iron	ASTM A536, 65-45-12
12	Washer	Brass	CW617N
13	Gland Nut	Carbon Steel	Zinc Plated
14	Stud	Carbon Steel	Zinc Plated
15	Flat Washer	Carbon Steel	Zinc Plated
16	Bolt	Carbon Steel	Zinc Plated
17	O-Ring	NBR	Commercial
18	Plug	Bronze	ASTM B583C89833



Installation

1. Piping systems and valves should be thoroughly cleaned and free from ingress of foreign materials.
2. Visually inspect the valve seating and ports for cleanliness immediately prior to installation.
3. All valves should be independently supported against movement and stress from the connected piping system.
4. Ensure that the valve pressure rating is compatible with service conditions.
5. Operate the valve at least once from the open to closed position.
6. Verify that packing nuts are tight before pressurizing the system.
7. Gate valves are not suitable for throttling applications.
8. Gate valves should be installed in the vertical position on horizontal pipework and in the horizontal position on vertical pipework.

Operation

Gate valves are manually operated multi-turn valves and are opened by a handwheel or other operating device, generally in a counter clockwise direction and then closed clockwise.

Inspection & Maintenance

1. Valves should be inspected periodically and should be cycled to prevent buildup of foreign materials in the piping system and valve body.
2. In the event of a packing leak adjust the packing nuts to increase pressure on the stem packing. Packing nuts should be tightening evenly approximately a quarter turn in a clockwise direction.
3. Always shut down the system before repacking the valve. Valves are designed with backseats for repacking under pressure but this is not recommended.

Closing torque for handwheel

Size		Closing Torque Nm
2"	DN50	27
2½"	DN65	38
3"	DN80	65
4"	DN100	80
5"	DN125	100
6"	DN150	125
8"	DN200	160
10"	DN250	240
12"	DN300	300

Note: This document contains basic product information only. For more information, contact your local VIKING Sales Representative. Certificates, test reports and approvals may be published in the OEM name. The contents of this publication are subject to change without prior notice. All rights reserved. Images are purely for illustration only. Fireking™ is a trademark of The Viking Corporation.

Trusted above all.

The Viking Corporation (far East) Pte. Ltd. | 69 Tuas View Square, Westlink Techpark, Singapore 637621 | vikingapac@vikingcorp.com





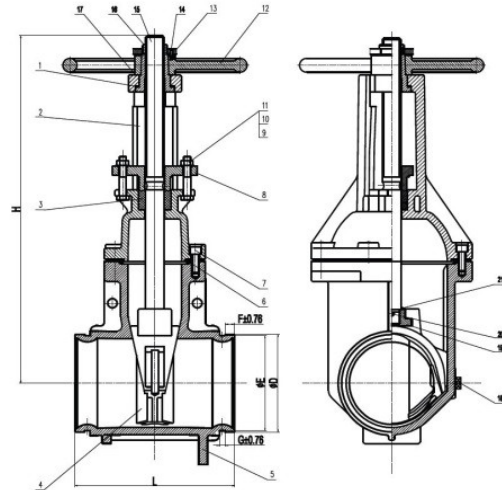
Gate Valves | Outside Screw & Yoke (OS&Y) | Groove | OSG-1



SPECIFICATIONS	
Sizes	2½"/DN65, 3"/DN80, 4"/DN100, 5"/DN125, 6"/DN150, 8"/DN200, 10"/DN250, 12"/DN300
Working Pressure	300 psi / 21bar
Working Temperature	-20°C to 100°C (-4°F to 230°F)
Seat type	Resilient wedge
Finish	Epoxy resin coated internal and external
Material (body)	Ductile iron
Connections	Standard metric groove or AWWA C606
Specifications	Design and dimensions conform to AWWA C515
Approvals	UL, FM

Product Parts, Materials & Standard

Description	Material	Specification
Body	Ductile Iron	ASTM A536 65-45-12
Bonnet	Ductile Iron	ASTM A536 65-45-12
Grand	Ductile Iron	ASTM A536 65-45-12
Disc	Ductile Iron & EPDM	ASTM A536 65-45-12 & EPDM
Stem	SS304	ASTM A276
Nut	SS304	ASTM A276
Stud	SS304	ASTM A276
Flat Washer	SS304	ASTM A276
O-Ring	EPDM	ASTM D2000 EPDM
Sealing Ring	EPDM	ASTM D2000 EPDM
Sealing Gland	EPDM	ASTM D2000 EPDM
Retaining Ring	C95400	ASTM B148
Plug	C95400	ASTM B148



Product Data & Part Numbers

Size			Reference	Dimensions in mm						Weight (Kg)
Metric	Inch	OD		L	F	D	E	G	H	
DN65	2½"	73.0	OSG1-0250-073	190	15.9	73	69.1	7.9	370	21.0
		76.1	OSG1-0250-076	190	15.9	76.1	72.3	7.9	370	21.0
DN80	3"	88.9	OSG1-0300-089	203	15.9	88.9	84.9	9.7	420	27.4
DN100	4"	114.3	OSG1-0400-114	229	15.9	114.3	110.1	9.5	447	34.5
DN125	5"	139.7	OSG1-0500-139	254	15.9	139.7	135.5	9.5	547	59.2
DN125	5"	141.3	OSG1-0500-141	254	15.9	141.3	137	9.5	547	59.2
DN150	6"	165.1	OSG1-0600-165	267	15.9	165.1	160.8	9.5	607	59.2
DN150	6"	168.3	OSG1-0600-168	267	15.9	168.3	163.9	9.5	607	59.2
DN200	8"	216.3	OSG1-0800-216	292	19	216.3	211.6	11.1	754	96.2
DN200	8"	219.1	OSG1-0800-219	292	19	219.1	214.3	11.1	754	96.2
DN250	10"	273.0	OSG1-1000-273	330	19	273	268.3	12.7	890	142.0
DN300	12"	323.9	OSG1-1200-323	356	19	323.9	318.3	12.7	1031	193.0

Note: This document contains basic product information only. For more information, contact your local VIKING Sales Representative. Certificates, test reports and approvals may be published in the OEM name. The contents of this publication are subject to change without prior notice. All rights reserved. Images are purely for illustration only. Fireking™ is a trademark of The Viking Corporation.

Trusted above all.

The Viking Corporation (far East) Pte. Ltd. | 69 Tuas View Square, Westlink Techpark, Singapore 637621 | vikingapac@vikingcorp.com





Gate Valves | Outside Screw & Yoke (OS&Y) | Groove | OSG-1

Installation

1. Piping systems and valves should be thoroughly cleaned and free from ingress of foreign materials.
2. Visually inspect the valve seating and ports for cleanliness immediately prior to installation.
3. All valves should be independently supported against movement and stress from the connected piping system.
4. Ensure that the valve pressure rating is compatible with service conditions.
5. Operate the valve at least once from the open to closed position.
6. Verify that packing nuts are tight before pressurizing the system.
7. Gate valves are not suitable for throttling applications.
8. Gate valves should be installed in the vertical position on horizontal pipework and in the horizontal position on vertical pipework.

Operation

Gate valves are manually operated multi-turn valves and are opened by a handwheel or other operating device, generally in a counter clockwise direction and then closed clockwise.

Inspection & Maintenance

1. Valves should be inspected periodically and should be cycled to prevent buildup of foreign materials in the piping system and valve body.
2. In the event of a packing leak adjust the packing nuts to increase pressure on the stem packing. Packing nuts should be tightening evenly approximately a quarter turn in a clockwise direction.
3. Always shut down the system before repacking the valve. Valves are designed with backseats for repacking under pressure but this is not recommended.

Closing torque for handwheel

Size		Closing Torque	
Metric	Inch	Nm	lbf
DN50	2"	27	19.9
DN65	2½"	38	28.0
DN80	3"	65	47.9
DN100	4"	80	59.0
DN125	5"	100	73.8
DN150	6"	125	92.2
DN200	8"	160	118.0
DN250	10"	240	177.0
DN300	12"	300	221.3



Note: This document contains basic product information only. For more information, contact your local VIKING Sales Representative. Certificates, test reports and approvals may be published in the OEM name. The contents of this publication are subject to change without prior notice. All rights reserved. Images are purely for illustration only. Fireking™ is a trademark of The Viking Corporation.

Trusted above all.

The Viking Corporation (far East) Pte. Ltd. | 69 Tuas View Square, Westlink Techpark, Singapore 637621 | vikingapac@vikingcorp.com





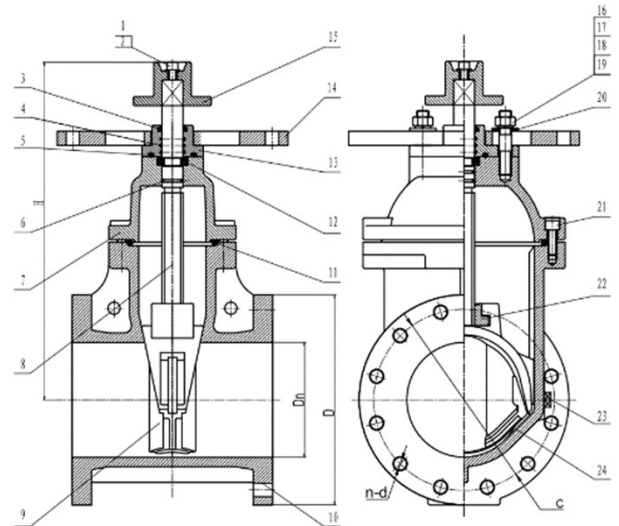
Gate Valves | Non-Rising Stem (NRS) | Flange | NRFL-4



SPECIFICATIONS	
Sizes	2"/DN50, 2½"/DN65, 3"/DN80, 4"/DN100, 5"/DN125, 6"/DN150, 8"/DN200, 10"/DN250, 12"/DN300
Working Pressure	300 psi / 21bar
Working Temperature	-20°C to 100°C (-4°F to 230°F)
Seat type	Resilient wedge
Finish	Epoxy resin coated internal and external
Material (body)	Ductile iron
Connections	Flange diameter and thickness according to ANSI B16.1 Class 125 or EN1092-2 PN16
Specifications	Design and dimensions conform to ANSI
Approvals	UL, C-UL, FM

Product Parts, Materials & Standard

No	Part	Material	Standard
1	Flat Washer	Steel1045 / SS304	ASTM A29 / ASTM A276
2	Hexagon Socket Screw	Steel1045 / SS304	ASTM A29 / ASTM A276
3	Sealing Ring	EPDM	ASTM D2000
4	O-ring	EPDM	ASTM D2000
5	Sealing Ring	EPDM	ASTM D2000
6	O-ring	EPDM	ASTM D2000
7	Bonnet	Ductile Iron	ASTM A536 Grade 65-45 12
8	Stem	Steel1045 / SS304	ASTM A29 / ASTM A276
9	Plug	Steel1045 / SS304	ASTM A29 / ASTM A276
10	Disc	Ductile Iron + EPDM	ASTM A536 Grade 65-45 12 & ASTM D2000
11	Body	Ductile Iron	ASTM A536 Grade 65-45 12
12	Sealing Ring	EPDM	ASTM D2000
13	Retaining Ring	C95400	ASTM B 148
14	Gland	Ductile Iron	ASTM A536 Grade 65-45 12
15	Post Flange	Ductile Iron	ASTM A536 Grade 65-45 12
16	Wrench nut	Ductile Iron	ASTM A536 Grade 65-45 12
17	Bolt	Steel1045 / SS304	ASTM A29 / ASTM A276
18	Washer	Steel1045 / SS304	ASTM A29 / ASTM A276
19	Hexagon Socket Screw	Steel1045 / SS304	ASTM A29 / ASTM A276
20	Stem Nut	CF8 / C95400	ASTM A351 / ASTM B 148



Product Data & Part Numbers

Size		Part Number	Dimensions			Weight (Kg)
Metric	Inches		L	D	H	
DN40	2"	NRFL4-0200	178	152	265	20.2
DN65	2½"	NRFL4-0250	190	178	292	20.2
DN80	3"	NRFL4-0030	203	191	322	25.0
DN100	4"	NRFL4-0400	229	229	342	34.0
DN125	5"	NRFL4-0500	254	254	412	
DN150	6"	NRFL4-0600	267	279	448	71.2
DN200	8"	NRFL4-0800	292	343	534	112.0
DN250	10"	NRFL4-1000	330	406	635	140.8
DN300	12"	NRFL4-1200	336	483	720	201.6

Note: This document contains basic product information only. For more information, contact your local VIKING Sales Representative. Certificates, test reports and approvals may be published in the OEM name. The contents of this publication are subject to change without prior notice. All rights reserved. Images are purely for illustration only. Fireking™ is a trademark of The Viking Corporation.

Trusted above all.

The Viking Corporation (far East) Pte. Ltd. | 69 Tuas View Square, Westlink Techpark, Singapore 637621 | vikingapac@vikingcorp.com





Gate Valves | Non-Rising Stem (NRS) | Flange | NRFL-4

Installation

1. Piping systems and valves should be thoroughly cleaned and free from ingress of foreign materials.
2. Visually inspect the valve seating and ports for cleanliness immediately prior to installation.
3. All valves should be independently supported against movement and stress from the connected piping system.
4. Ensure that the valve pressure rating is compatible with service conditions.
5. Operate the valve at least once from the open to closed position.
6. Verify that packing nuts are tight before pressurizing the system.
7. Gate valves are not suitable for throttling applications.
8. Gate valves should be installed in the vertical position on horizontal pipework and in the horizontal position on vertical pipework.

Operation

Gate valves are manually operated multi-turn valves and are opened by a handwheel or other operating device, generally in a counter clockwise direction and then closed clockwise.

Inspection & Maintenance

1. Valves should be inspected periodically and should be cycled to prevent buildup of foreign materials in the piping system and valve body.
2. In the event of a packing leak adjust the packing nuts to increase pressure on the stem packing. Packing nuts should be tightening evenly approximately a quarter turn in a clockwise direction.
3. Always shut down the system before repacking the valve. Valves are designed with backseats for repacking under pressure but this is not recommended.

Closing torque for handwheel

Size		Closing Torque	
Metric	Inch	Nm	lbf
DN50	2"	27	19.9
DN65	2½"	38	28.0
DN80	3"	65	47.9
DN100	4"	80	59.0
DN125	5"	100	73.8
DN150	6"	125	92.2
DN200	8"	160	118.0
DN250	10"	240	177.0
DN300	12"	300	221.3



Note: This document contains basic product information only. For more information, contact your local VIKING Sales Representative. Certificates, test reports and approvals may be published in the OEM name. The contents of this publication are subject to change without prior notice. All rights reserved. Images are purely for illustration only. Fireking™ is a trademark of The Viking Corporation.

Trusted above all.

The Viking Corporation (far East) Pte. Ltd. | 69 Tuas View Square, Westlink Techpark, Singapore 637621 | vikingapac@vikingcorp.com





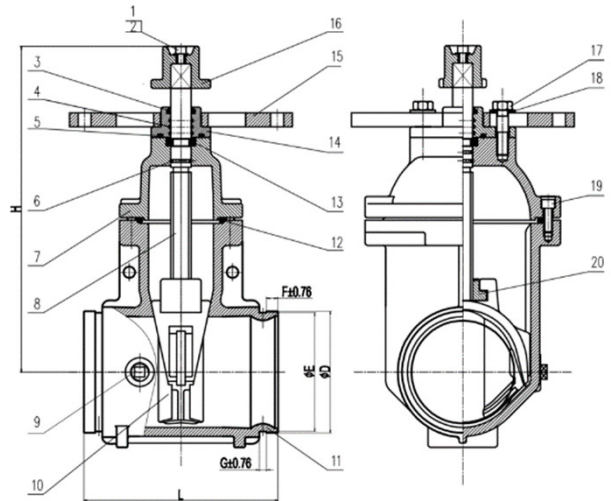
Gate Valves | Non-Rising Stem (NRS) | Groove | NRGL-4



SPECIFICATIONS	
Sizes	2½"/DN65, 3"/DN80, 4"/DN100, 5"/DN125, 6"/DN150, 8"/DN200, 10"/DN250, 12"/DN300
Working Pressure	300 psi / 21bar
Working Temperature	-20°C to 100°C (-4°F to 230°F)
Seat type	Resilient wedge
Finish	Epoxy resin coated internal and external
Material (body)	Ductile iron
Connections	Standard metric groove or AWWA C606
Specifications	Design and dimensions conform to AWWA C515
Approvals	UL, C-UL, FM

Product Parts, Materials & Standard

No	Part	Material	Standard
1	Flat Washer	Steel1045 / SS304	ASTM A29 / ASTM A276
2	Hexagon Socket Screw	Steel1045 / SS304	ASTM A29 / ASTM A276
3	Sealing Ring	EPDM	ASTM D2000
4	O-ring	EPDM	ASTM D2000
5	Sealing Ring	EPDM	ASTM D2000
6	O-ring	EPDM	ASTM D2000
7	Bonnet	Ductile Iron	ASTM A536 Grade 65-45 12
8	Stem	Steel1045 / SS304	ASTM A29 / ASTM A276
9	Plug	Steel1045 / SS304	ASTM A29 / ASTM A276
10	Disc	Ductile Iron + EPDM	ASTM A536 Grade 65-45 12 & ASTM D2000
11	Body	Ductile Iron	ASTM A536 Grade 65-45 12
12	Sealing Ring	EPDM	ASTM D2000
13	Retaining Ring	C95400	ASTM B 148
14	Gland	Ductile Iron	ASTM A536 Grade 65-45 12
15	Post Flange	Ductile Iron	ASTM A536 Grade 65-45 12
16	Wrench nut	Ductile Iron	ASTM A536 Grade 65-45 12
17	Bolt	Steel1045 / SS304	ASTM A29 / ASTM A276
18	Washer	Steel1045 / SS304	ASTM A29 / ASTM A276
19	Hexagon Socket Screw	Steel1045 / SS304	ASTM A29 / ASTM A276
20	Stem Nut	CF8 / C95400	ASTM A351 / ASTM B 148



Product Data & Part Numbers

Metric	Size		Part Number	Dimensions in mm						Weight (Kg)
	Inches	OD		L	F	D	E	G	H	
DN65	2½"	73	NRGL4-250-073	190	15.9	73	69.1	7.9	292	20.2
DN65	2½"	76.1	NRGL4-250-076			76.1	72.3			
DN80	3"	88.9	NRGL4-300-089	203	15.9	88.9	84.9	7.9	322	25
DN100	4"	114.3	NRGL4-400-114	229	15.9	114.3	110.1	9.5	342	34
DN125	5"	139.7	NRGL4-500-139	254	15.9	139.7	135.5	9.5	412	TBA
DN125	5"	141.3	NRGL4-500-141			141.3	137			
DN150	6"	165.1	NRGL4-600-165	267	15.9	165.1	160.8	9.5	448	71.2
DN150	6"	168.3	NRGL4-600-168			168.3	163.9			
DN200	8"	216.3	NRGL4-800-216	292	15.9	216.3	211.6	11.1	534	112
DN200	8"	219.1	NRGL4-800-219			219.1	214.3			
DN250	10"	273	NRGL4-1000-273	330	15.9	273	268.3	12.7	635	140.8
DN300	12"	323.9	NRGL4-1200-323	356	15.9	323.9	318.3	12.7	720	201.6

Note: This document contains basic product information only. For more information, contact your local VIKING Sales Representative. Certificates, test reports and approvals may be published in the OEM name. The contents of this publication are subject to change without prior notice. All rights reserved. Images are purely for illustration only. Fireking™ is a trademark of The Viking Corporation.

Trusted above all.

The Viking Corporation (far East) Pte. Ltd. | 69 Tuas View Square, Westlink Techpark, Singapore 637621 | vikingapac@vikingcorp.com





Gate Valves | Non-Rising Stem (NRS) | Groove | NRGL-4

Installation

1. Piping systems and valves should be thoroughly cleaned and free from ingress of foreign materials.
2. Visually inspect the valve seating and ports for cleanliness immediately prior to installation.
3. All valves should be independently supported against movement and stress from the connected piping system.
4. Ensure that the valve pressure rating is compatible with service conditions.
5. Operate the valve at least once from the open to closed position.
6. Verify that packing nuts are tight before pressurizing the system.
7. Gate valves are not suitable for throttling applications.
8. Gate valves should be installed in the vertical position on horizontal pipework and in the horizontal position on vertical pipework.

Operation

Gate valves are manually operated multi-turn valves and are opened by a handwheel or other operating device, generally in a counter clockwise direction and then closed clockwise.

Inspection & Maintenance

1. Valves should be inspected periodically and should be cycled to prevent buildup of foreign materials in the piping system and valve body.
2. In the event of a packing leak adjust the packing nuts to increase pressure on the stem packing. Packing nuts should be tightening evenly approximately a quarter turn in a clockwise direction.
3. Always shut down the system before repacking the valve. Valves are designed with backseats for repacking under pressure but this is not recommended.

Closing torque for handwheel

Size		Closing Torque	
Metric	Inch	Nm	lbf
DN50	2"	27	19.9
DN65	2½"	38	28.0
DN80	3"	65	47.9
DN100	4"	80	59.0
DN125	5"	100	73.8
DN150	6"	125	92.2
DN200	8"	160	118.0
DN250	10"	240	177.0
DN300	12"	300	221.3



Note: This document contains basic product information only. For more information, contact your local VIKING Sales Representative. Certificates, test reports and approvals may be published in the OEM name. The contents of this publication are subject to change without prior notice. All rights reserved. Images are purely for illustration only. Fireking™ is a trademark of The Viking Corporation.

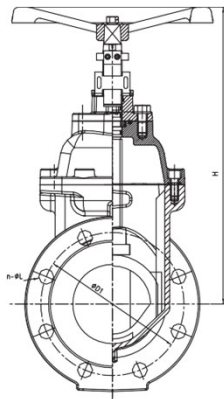
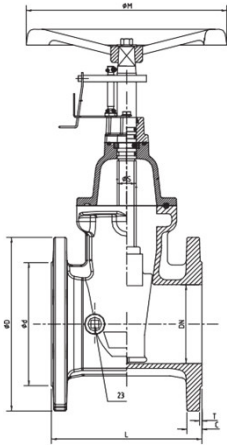
Trusted above all.

The Viking Corporation (far East) Pte. Ltd. | 69 Tuas View Square, Westlink Techpark, Singapore 637621 | vikingapac@vikingcorp.com





Gate Valves | Non-Rising Stem (NRS) | BS5163 | Flange | NRF5



SPECIFICATIONS	
Sizes	2"/DN50, 2½"/DN65, 3"/DN80, 4"/DN100, 5"/DN125, 6"/DN150, 8"/DN200, 10"/DN250, 12"/DN300, 14"/DN350
Working Pressure	232 psi / 16bar
Working Temperature	0°C to 70°C (32°F to 158°F)
Seat type	Resilient wedge, EPDM encapsulated
Finish	Fusion bonded epoxy coated internal & external
Material (body)	Ductile iron
Connections	Flange diameter and thickness according to EN1092-2 PN16, ASME B16.1 CL125 or EN1092-2 PN10
Specifications	Design in accordance with BS 5163; Face to face dimension in accordance with EN 558-1, basic series 3
Supervision	Integral bracket allows monitoring of valve in open position using supervisory switch, P/N 828482. For monitoring closed position part number NRF-SB is required
Approvals	WRAS

Product Data & Part Numbers

Part Numbers			Nominal Pipe Size		PN									Weight (kg)
ANSI	PN10	PN16	Metric	inch		L	H	D	ØD1	Ød	C	T	n-d	
NRF5-0200W		NRF5-0200PNW	DN50	2	10/16	178	282	165	125	99	19	3	4-Ø19	10.6
NRF5-0250W		NRF5-0250PNW	DN65	2-1/2	10/16	190	290	185	145	118	19	3	4-Ø19	12.6
NRF5-0300W		NRF5-0300PNW	DN80	3	10/16	203	331	200	160	132	19	3	8-Ø19	16.7
NRF5-0400W		NRF5-0400PNW	DN100	4	10/16	229	366	220	180	156	19	3	8-Ø19	21.3
NRF5-0500W		NRF5-0500PNW	DN125	5	10/16	254	437	250	210	184	19	3	8-Ø19	38.4
		NRF5-0600W	DN150	6	10/16	267	490	285	240	211	19	3	8-Ø23	42.5
NRF5-0800W	NRF5-0800PN10W	NRF5-0800PN16W	DN200	8	10/16	292	560	340	295	266	20	3	8-Ø23 12-Ø23	62.6
NRF5-1000W	NRF5-1000PN10W	NRF5-1000PN16W	DN250	10	10/16	330	706	405	350 355	319	22	3	12-Ø23 12-Ø28	117.1
NRF5-1200W	NRF5-1200PN10W	NRF5-1200PN16W	DN300	12	10/16	356	802	460	400 410	370	24.5	4	12-Ø23 12-Ø28	164.9
NRF5-1400W	NRF5-1400PN10W	NRF5-1400PN16W	DN350**	14	10/16	381	1005	520	460 470	429	26.5	4	16-Ø23 16-Ø28	316.1

* Valve flange drilling (size and location of bolt holes and pitch circle diameter) allows mating with the following flange types :
 ANSI = ANSI B16.1 Class 125 PN10 = DIN 2501, BS 4504, EN 1092 - PN10 PN16 = DIN 2501, BS 4504, EN 1092 - PN16
 ** 14"/DN350 is not WRAS approved

Note: This document contains basic product information only. For more information, contact your local VIKING Sales Representative. Certificates, test reports and approvals may be published in the OEM name. The contents of this publication are subject to change without prior notice. All rights reserved. Images are purely for illustration only. Fireking™ is a trademark of The Viking Corporation.

Trusted above all.

The Viking Corporation (far East) Pte. Ltd. | 69 Tuas View Square, Westlink Techpark, Singapore 637621 | vikingapac@vikingcorp.com

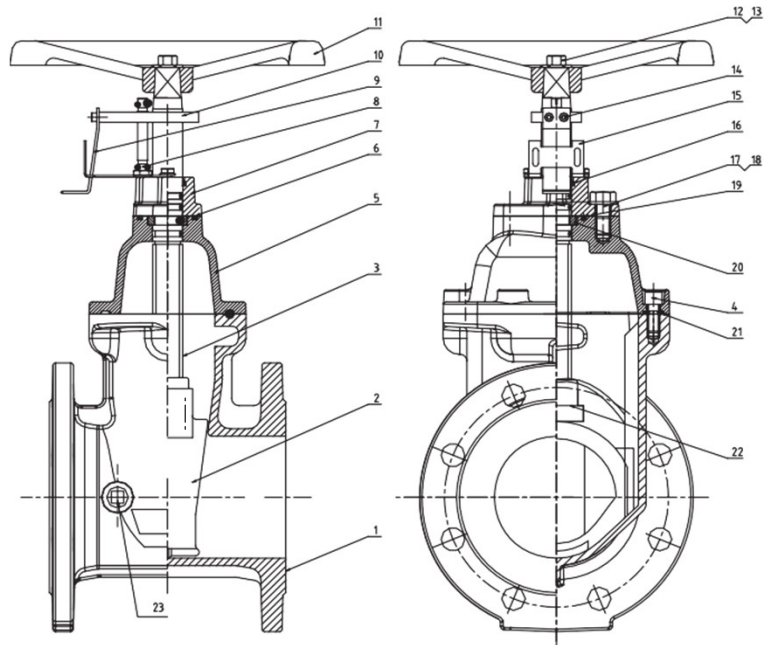




Gate Valves | Non-Rising Stem (NRS) | BS5163 | Flange | NRF5

Product Parts, Materials & Standard

Item	Description	Material	Specification
1	Valve body	Ductile iron	EN-GJS-450-10
2	Resilient wedge disc	Ductile iron	EN-GJS-450-10 & EPDM
3	Stem	Stainless steel	SS420
4	Bolt	Carbon steel	Zinc plated
5	Bonnet	Ductile iron	EN-GJS-450-10
6	O-ring	Nbr	Commercial
7	Gland	Ductile iron	EN-GJS-450-10
8	Position fixing spindle	Stainless steel	SS316
9	Limit plate	Stainless steel	SS316
10	Position fixing plate	Stainless steel	SS316
11	Handwheel	Ductile iron	EN-GJS-450-10
12	Bolt	Carbon steel	Zinc plated
13	Flat washer	Carbon steel	Zinc plated
14	Bolt	Carbon steel	Zinc plated
15	Fixed plate	Stainless steel	SS316
16	Ring wiper	Epdm	Commercial
17	Bolt	Carbon steel	Zinc plated
18	Flat washer	Carbon steel	Zinc plated
19	O-ring	Epdm	Commercial
20	Thrust washer	Brass	HPb59-1
21	Bonnet gasket	Epdm	Commercial
22	Wedge nut	Brass	HPb59-1
23	1/2" Plug	bronze	ASTM B584C83600
24	Switch bracket for NRF5 Valve - Part Number: NRF-SB		



Installation | NRF5

1. Piping systems and valves should be thoroughly cleaned and free from ingress of foreign materials.
2. Visually inspect the valve seating and ports for cleanliness immediately prior to installation.
3. All valves should be independently supported against movement and stress from the connected piping system.
4. Ensure that the valve pressure rating is compatible with service conditions.
5. Operate the valve at least once from the open to closed position.
6. Gate valves are not suitable for throttling applications.
7. Gate valves should be installed in the vertical position on horizontal pipework and in the horizontal position on vertical pipework.

Operation | NRF5

Gate valves are manually operated multi-turn valves and are opened by a handwheel or other operating device, generally in a counter clockwise direction and then closed clockwise.

Inspection & Maintenance | NRF5

Valves should be inspected periodically and should be cycled to prevent buildup of foreign materials in the piping system and valve body.

Closing torque for handwheel

Size		Closing TorqueNm
2"	DN50	27
2½"	DN65	38
3"	DN80	65
4"	DN100	80
5"	DN125	100
6"	DN150	125
8"	DN200	160
10"	DN250	240
12"	DN300	300
14"	DN350	306

Note: This document contains basic product information only. For more information, contact your local VIKING Sales Representative. Certificates, test reports and approvals may be published in the OEM name. The contents of this publication are subject to change without prior notice. All rights reserved. Images are purely for illustration only. Fireking™ is a trademark of The Viking Corporation.

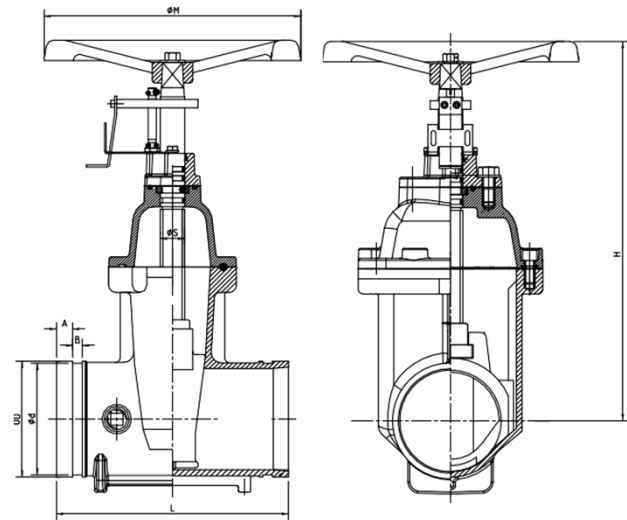
Trusted above all.

The Viking Corporation (far East) Pte. Ltd. | 69 Tuas View Square, Westlink Techpark, Singapore 637621 | vikingapac@vikingcorp.com





Gate Valves | Non-Rising Stem (NRS) | BS5163 | Groove | NRG5



SPECIFICATIONS	
Sizes	2"/DN50, 2½"/DN65, 3"/DN80, 4"/DN100, 5"/DN125, 6"/DN150, 8"/DN200, 10"/DN250, 12"/DN300
Working Pressure	232 psi / 16bar
Working Temperature	0°C to 70°C (32°F to 158°F)
Seat type	Resilient wedge, EPDM encapsulated
Finish	Fusion bonded epoxy coated internal & external
Material (body)	Ductile iron
Connections	Groove to AWWA C606 standard
Specifications	Design in accordance with BS 5163; Face to face dimension in accordance with EN 558-1, basic series 3
Supervision	Integral bracket allows monitoring of valve in open position using supervisory switch, P/N 828482. For monitoring closed position part number NRF-SB is required

Product Data & Part Numbers

Part Numbers			Nominal Pipe Size		PN	L	H	D	ØD1	Ød	C	T	n-d	Weight (kg)
ANSI	PN10	PN16	Metric	Inch										
NRF5-0200W	NRF5-0200PNW	NRF5-0200PN16W	DN50	2	10/16	178	282	165	125	99	19	3	4-Ø19	10.6
NRF5-0250W	NRF5-0250PNW	NRF5-0250PN16W	DN65	2½	10/16	190	290	185	145	118	19	3	4-Ø19	12.6
NRF5-0300W	NRF5-0300PNW	NRF5-0300PN16W	DN80	3	10/16	203	331	200	160	132	19	3	8-Ø19	16.7
NRF5-0400W	NRF5-0400PNW	NRF5-0400PN16W	DN100	4	10/16	229	366	220	180	156	19	3	8-Ø19	21.3
NRF5-0500W	NRF5-0500PNW	NRF5-0500PN16W	DN125	5	10/16	254	437	250	210	184	19	3	8-Ø19	38.4
	NRF5-0600W	NRF5-0600PN16W	DN150	6	10/16	267	490	285	240	211	19	3	8-Ø23	42.5
NRF5-0800W	NRF5-0800PN10W	NRF5-0800PN16W	DN200	8	10/16	292	560	340	295	266	20	3	8-Ø23 12-Ø23	62.6
NRF5-1000W	NRF5-1000PN10W	NRF5-1000PN16W	DN250	10	10/16	330	706	405	350 355	319	22	3	12-Ø23 12-Ø28	117.1
NRF5-1200W	NRF5-1200PN10W	NRF5-1200PN16W	DN300	12	10/16	356	802	460	400 410	370	24.5	4	12-Ø23 12-Ø28	164.9
NRF5-1400W	NRF5-1400PN10W	NRF5-1400PN16W	DN350*	14	10/16	381	1005	520	460 470	429	26.5	4	16-Ø23 16-Ø28	316.1

* Valve flange drilling (size and location of bolt holes and pitch circle diameter) allows mating with the following flange types :

ANSI = ANSI B16.1 Class 125

PN10 = DIN 2501, BS 4504, EN 1092 - PN10

PN16 = DIN 2501, BS 4504, EN 1092 - PN16

** 14"/DN350 is not WRAS approved

Note: This document contains basic product information only. For more information, contact your local VIKING Sales Representative. Certificates, test reports and approvals may be published in the OEM name. The contents of this publication are subject to change without prior notice. All rights reserved. Images are purely for illustration only. Fireking™ is a trademark of The Viking Corporation.

Trusted above all.

The Viking Corporation (far East) Pte. Ltd. | 69 Tuas View Square, Westlink Techpark, Singapore 637621 | vikingapac@vikingcorp.com

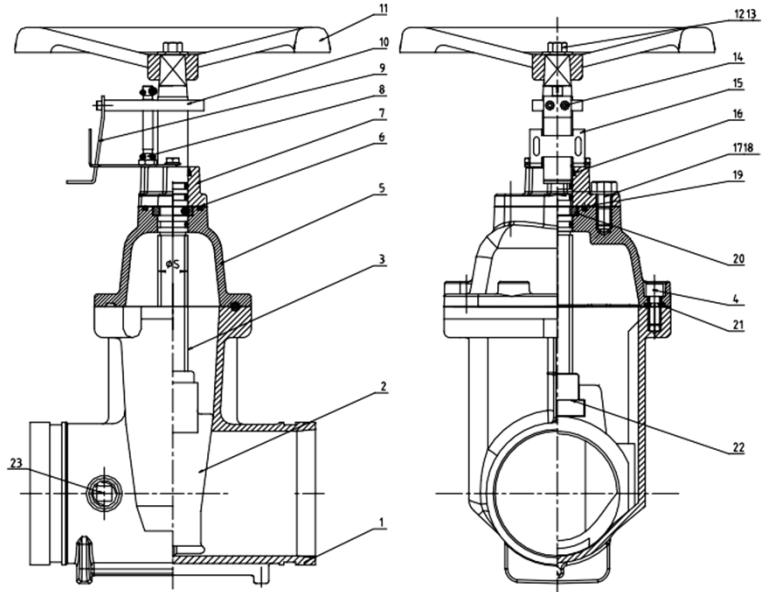




Gate Valves | Non-Rising Stem (NRS) | BS5163 | Groove | NRG5

Product Parts, Materials & Standard

Item	Description	Material	Specification
1	Valve body	Ductile iron	EN-GJS-450-10
2	Resilient wedge disc	Ductile iron	EN-GJS-450-10 & EPDM
3	Stem	Stainless steel	SS420
4	Bolt	Carbon steel	Zinc plated
5	Bonnet	Ductile iron	EN-GJS-450-10
6	O-ring	Nbr	Commercial
7	Gland	Ductile iron	EN-GJS-450-10
8	Position fixing spindle	Stainless steel	SS316
9	Limit plate	Stainless steel	SS316
10	Position fixing plate	Stainless steel	SS316
11	Handwheel	Ductile iron	EN-GJS-450-10
12	Bolt	Carbon steel	Zinc plated
13	Flat washer	Carbon steel	Zinc plated
14	Bolt	Carbon steel	Zinc plated
15	Fixed plate	Stainless steel	SS316
16	Ring wiper	Epdm	Commercial
17	Bolt	Carbon steel	Zinc plated
18	Flat washer	Carbon steel	Zinc plated
19	O-ring	Epdm	Commercial
20	Thrust washer	Brass	HPb59-1
21	Bonnet gasket	Epdm	Commercial
22	Wedge nut	Brass	HPb59-1
23	1/2" Plug	bronze	ASTM B584C83600
24	Switch bracket for NRF5 Valve - Part Number: NRF-SB		



Installation | NRF5

1. Piping systems and valves should be thoroughly cleaned and free from ingress of foreign materials.
2. Visually inspect the valve seating and ports for cleanliness immediately prior to installation.
3. All valves should be independently supported against movement and stress from the connected piping system.
4. Ensure that the valve pressure rating is compatible with service conditions.
5. Operate the valve at least once from the open to closed position.
6. Gate valves are not suitable for throttling applications.
7. Gate valves should be installed in the vertical position on horizontal pipework and in the horizontal position on vertical pipework.

Operation | NRF5

Gate valves are manually operated multi-turn valves and are opened by a handwheel or other operating device, generally in a counter clockwise direction and then closed clockwise.

Inspection & Maintenance | NRF5

Valves should be inspected periodically and should be cycled to prevent buildup of foreign materials in the piping system and valve body.

Closing torque for handwheel

Size	DN	Closing Torque Nm
2"	DN50	27
2½"	DN65	38
3"	DN80	65
4"	DN100	80
5"	DN125	100
6"	DN150	125
8"	DN200	160
10"	DN250	240
12"	DN300	300

Note: This document contains basic product information only. For more information, contact your local VIKING Sales Representative. Certificates, test reports and approvals may be published in the OEM name. The contents of this publication are subject to change without prior notice. All rights reserved. Images are purely for illustration only. Fireking™ is a trademark of The Viking Corporation.

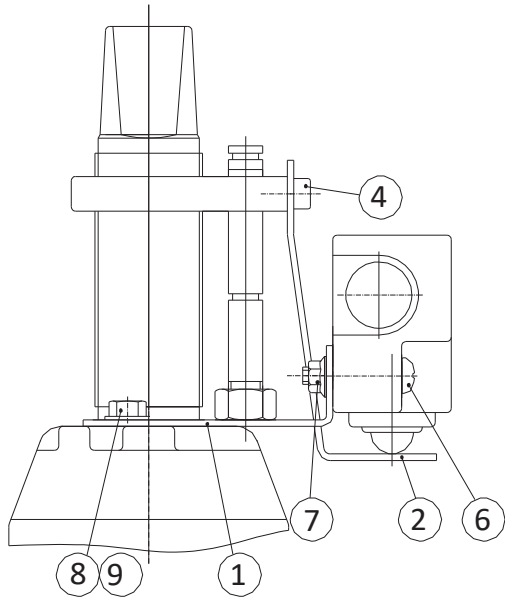
Trusted above all.

The Viking Corporation (far East) Pte. Ltd. | 69 Tuas View Square, Westlink Techpark, Singapore 637621 | vikingapac@vikingcorp.com

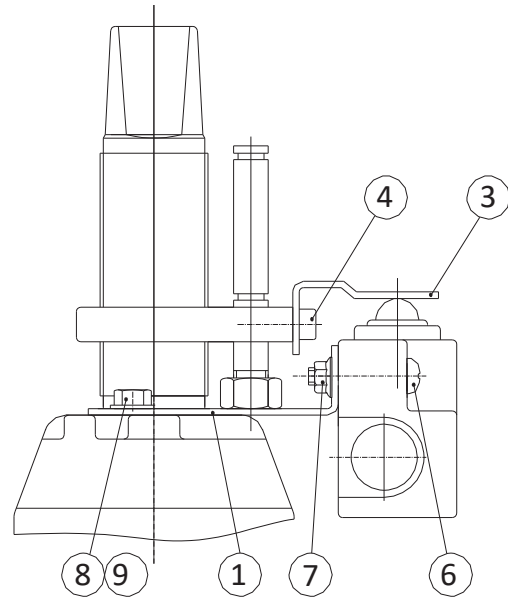




Bracket Kits (Supervision)| NRF | NRF-SB



Normally Open Bracket Kit*



Normally Closed Bracket Kit

Part Number & Contents

Valve Size	Part Number
DN50 to DN300	NRF-SB

Each kit contains:
 2 x Limit Plates (1 x DN50-DN100 + 1 x DN125-DN350) (Item 2)
 2 x Bolts M4 x 30 (Item 6)
 2 x Serrated Flange Nuts M4 (Item 7) 1 x Datasheet

Product Compatibility

For use on the following NRS gate valves:

- NRF5
- NRG5
- NRF11
- NRG11

Notes

1. When the bracket kit for a normally open gate valve is used, the switch will signal when the valve starts to be closed. This is supplied as standard with the NRF5, NRF11 & NRG11 gate valves.
2. When the bracket kit for a normally closed gate valve is used, the switch will signal when the valve starts to be opened.
3. Brackets are intended to be used with the NRF5 (DN50-DN350), NRF11 & NRG11 (DN50-DN300) gate valves; please refer to separate datasheet for information regarding the valves.
4. The brackets are intended to mount the supervisory switch 828482 or 790400, please refer to separate datasheet for further information.

Product Parts, Materials & Standards

Item	Description	Material	Quantity	
1*	Fixed plate	SS316	1	
2*	Limit Plate (normally open gate valve)	SS316	1	
3	Limit Plate (normally closed gate valve)	SS316	1	
4*	Socket Head Cap Bolt M4 x 10	SS304	2	
6	Bolt M4 x 30 (ISO 7045)	SS304	2	
7	Serrated Flange Nut M4 (ISO 4161)	SS304	2	
8*	Hexagon Bolt	For 2"-6" Valve M6 x 10	SS304	2
		For 8"-12" Valve M8 x 10	SS304	2
9*	Washer	For 2"-6" Valve Ø6	SS304	2
		For 8"-12" Valve Ø8	SS304	2

* Bracket supplied with valve (excludes the 2 switch attaching bolts)

Note: This document contains basic product information only. For more information, contact your local VIKING Sales Representative. Certificates, test reports and approvals may be published in the OEM name. The contents of this publication are subject to change without prior notice. All rights reserved. Images are purely for illustration only. Fireking™ is a trademark of The Viking Corporation.

Trusted above all.

The Viking Corporation (far East) Pte. Ltd. | 69 Tuas View Square, Westlink Techpark, Singapore 637621 | vikingapac@vikingcorp.com

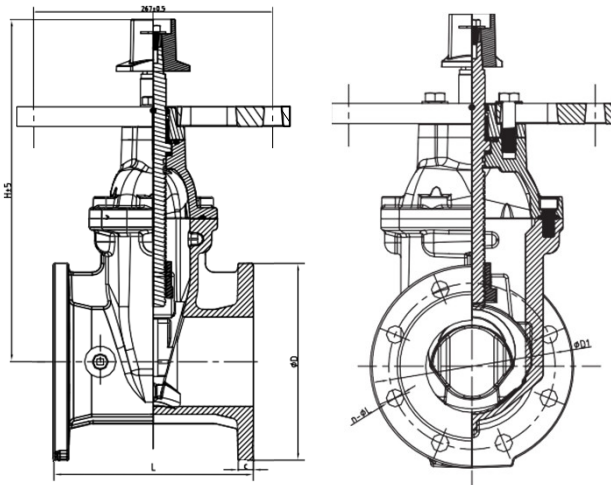




Post Indicator Valves | Flange | PIF



Post plate flange supplied only for 4" to 12" sizes



SPECIFICATIONS	
Sizes	2"/DN50, 2½"/DN65, 3"/DN80, 4"/DN100, 5"/DN125, 6"/DN150, 8"/DN200, 10"/DN250, 12"/DN300, 14"/DN350, 16"/DN400, 18"/DN450, 20"/DN500 & 24"/DN600
Working Pressure	250psi / 17bar (2") 300 psi / 21bar (4" to 12") 250 psi / 17bar (14" to 24" : ANSI-PIF3) 232 psi / 16bar (14" to 24" : BS-PIF4)
Seat type	Resilient wedge
Finish	Fusion bonded epoxy coated, internal and external
Material (body)	Ductile iron
Connections	Flange diameter and thickness according to ANSI B16.1 Class 125, EN1092-2 PN10 or EN1092-2 PN16
Specifications	Design and dimensions conform to AWWA C515
Compatibility	IPV or IPW models only
Approvals	UL, C-UL, FM 2" : FM Approved Only 5" : UL Listed only

Product Data & Part Numbers

Part Number ⁴			Nominal Pipe Size		Dimensions (mm)										Weight (kg)
ANSI	PN10	PN16	inch	Metric	L	H	D	C	ANSI	PN16	PN10	ANSI	PN16	PN10	
PIF-0200	PIF-0200PN		2 ^{1,3}	DN50	178	278	152	16.0	120.7		125		4-Ø19.1		12.9
PIF-0250	PIF-0250PN		2½ ³	DN65	190	300	178	17.5	139.7		145		4-Ø19.1		15.9
PIF-0300	PIF-0300PN		3 ³	DN80	203	321	191	19.1	152.4		160	4-Ø19.1	8-Ø19.1		20.9
PIF-0400	PIF-0400PN		4	DN100	229	395	229	19.1	190.5		180	8-Ø19.1	8-Ø19.1		35.7
PIF-0500	PIF-0500PN		5 ²	DN125	254	432	254	19.1	215.9		210	8-Ø22.2	8-Ø19.1		44.6
	PIF-0600		6	DN150	267	475	279	19.1	241.3		240	8-Ø22.2	8-Ø23		54.2
PIF-0800	PIF-0800PN10	PIF-0800PN16	8	DN200	292	585	343	22.2	298.5		295	8-Ø22.2	12-Ø23	8-Ø23	86.1
PIF-1000	PIF-1000PN10	PIF-1000PN16	10	DN250	330	656	406	23.8	362.0	355	350	12-Ø25.4	12-Ø28	12-Ø23	117.2
PIF-1200	PIF-1200PN10	PIF-1200PN16	12	DN300	356	751	483	25.4	431.8	410	400	12-Ø25.4	12-Ø28	12-Ø23	180.0
PIF-1400	-	PIF-1400PN16	14 ^{2,3}	DN350	381	917	533	25	476.3	470	-	12-Ø28.6	16-Ø28	-	312.8
PIF-1600	-	PIF-1600PN16	16 ^{2,3}	DN400	406	917	597	25	539.8	525	-	16-Ø28.6	16-Ø31	-	325.6
PIF-1800	-	PIF-1800PN16	18 ^{2,3}	DN450	432	1108	635	25	577.9	585	-	16-Ø38.1	20-Ø31	-	456.5
PIF-2000	-	PIF-2000PN16	20 ^{2,3}	DN500	457	1130	699	29	635.0	650	-	20-Ø38.1	20-Ø34	-	492.2
PIF-2400	-	PIF-2400PN16	24 ^{2,3}	DN600	508	1311	813	30	749.3	770	-	20-Ø34.9	20-Ø37	-	706.0

¹FM Approved only ²UL Listed only ³No post plate-flange supplied, UL listed as PIF3 (ANSI) or PIF4 (BS)
⁴Valve flange drilling (size and location of bolt holes and pitch circle diameter) allows mating with the following flange types :
ANSI = ANSI B16.1 Class 125 PN10 = DIN 2501, BS 4504, EN 1092 - PN10 PN16 = DIN 2501, BS 4504, EN 1092 - PN16

Note: This document contains basic product information only. For more information, contact your local VIKING Sales Representative. Certificates, test reports and approvals may be published in the OEM name. The contents of this publication are subject to change without prior notice. All rights reserved. Images are purely for illustration only. Fireking™ is a trademark of The Viking Corporation.

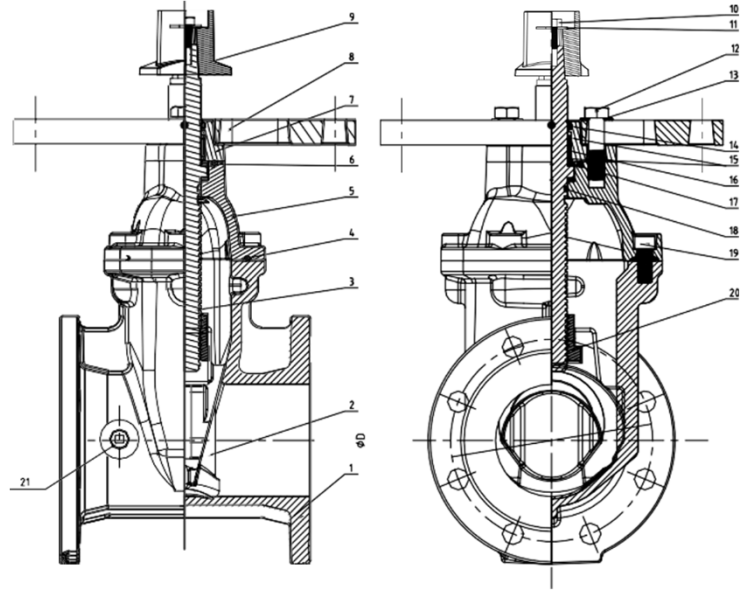




Post Indicator Valves | Flange | PIF

Product Parts, Materials & Standards

Item	Description	Material	Specification
1	Valve Body	Ductile Iron	ASTM A536 64-45-12
2	Resilient Wedge Disc	Ductile Iron	ASTM A536 64-45-12 & EPDM
3	Stem	Stainless Steel	AISI 431
4	Bonnet Gasket	EPDM	Commercial
5	Bonnet	Ductile Iron	ASTM A536 64-45-12
6	O-Ring	NBR	Commercial
7	Gland	Ductile Iron	ASTM A536 64-45-12
8	Post Flange	Ductile Iron	ASTM A536 64-45-12
9	Square Operating Nut	Ductile Iron	ASTM A536 64-45-12
10	Bolt	Carbon Steel	Zinc Plated
11	Flat Washer	Carbon Steel	Zinc Plated
12	Bolt	Carbon Steel	Zinc Plated
13	Flat Washer	Carbon Steel	Zinc Plated
14	Ring Wiper	EPDM	Commercial
15	O-Ring	NBR	Commercial
16	Axis Guide	Brass	Hpb59-1
17	Washer	Brass	Hpb59-1
18	O-Ring	NBR	Commercial
19	Bolt	Carbon Steel	Zinc Plated
20	Wedge Nut	Brass	Hpb59-1
21	Plug	Bronze	ASTM B584 C89833



Inspection & Maintenance

1. Piping systems and valves should be thoroughly cleaned and free from ingress of foreign materials.
2. Visually inspect the valve seating and ports for cleanliness immediately prior to installation.
3. All valves should be independently supported against movement and stress from the connected piping system.
4. Ensure that the valve pressure rating is compatible with service conditions.
5. Operate the valve at least once from the open to closed position.
6. Gate valves are not suitable for throttling applications.
7. Gate valves should be installed in the vertical position on horizontal pipework and in the horizontal position on vertical pipework.
8. See indicator post datasheet for further installation instructions.

Operation

Gate valves are manually operated multi-turn valves and are opened by a handwheel or other operating device, generally in a counter-clockwise direction and then closed clockwise.

Inspection & Maintenance

Valves should be inspected periodically and should be cycled to prevent buildup of foreign materials in the piping system and valve body.

Note: This document contains basic product information only. For more information, contact your local VIKING Sales Representative. Certificates, test reports and approvals may be published in the OEM name. The contents of this publication are subject to change without prior notice. All rights reserved. Images are purely for illustration only. Fireking™ is a trademark of The Viking Corporation.

Trusted above all.

The Viking Corporation (far East) Pte. Ltd. | 69 Tuas View Square, Westlink Techpark, Singapore 637621 | vikingapac@vikingcorp.com





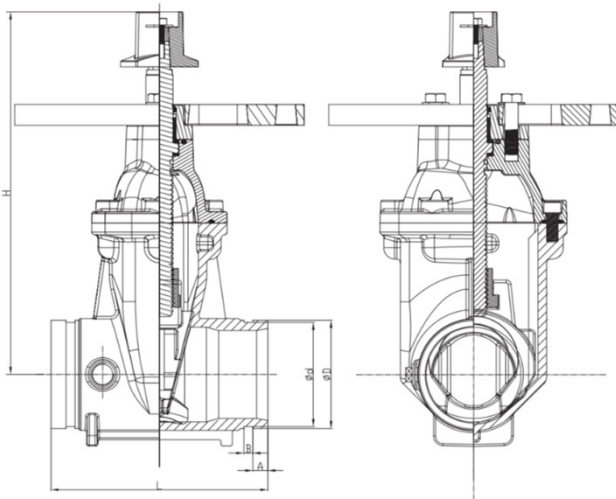
Post Indicator Valves | Flange | PIG & PIG2



Post plate flange supplied only for 4" to 12" sizes



SPECIFICATIONS	
Sizes	2"/DN50, 2½"/DN65, 3"/DN80, 4"/DN100, 5"/DN125, 6"/DN150, 8"/DN200, 10"/DN250, 12"/DN300
Working Pressure	300 psi / 21bar
Seat type	Resilient wedge
Finish	Fusion bonded epoxy coated, internal and external
Material (body)	Ductile iron
Connections	Grooved metric or AWWA C606 standard
Specifications	Design and dimensions conform to AWWA C515
Compatibility	IPV or IPW models only
Approvals	UL, FM 2" : FM Approved Only 5" : UL Listed only



Product Data & Part Numbers

Part Number	Nominal Pipe Size		Dimensions (mm)						Weight (kg)
	Metric	Inch	L	H	D	d	A	B	
PIG-0200	DN50*#	2	178	278	60.3	57.2	15.9	7.9	9.9
PIG-0250-073	DN65*	2½	190	296	73.0	69.1	15.9	7.9	10.9
PIG-0250-076					76.1	72.3			
PIG-0300	DN80*	3	203	322	88.9	84.9	15.9	7.9	15.4
PIG-0400	DN100	4	229	395	114.3	110.1	15.9	9.5	28.1
PIG-0500-139	DN125	5	254	432	139.7	135.5	15.9	9.5	35.9
PIG-0500-141					141.3	137.0			
PIG-0600-165	DN150	6	267	475	165.1	160.9	15.9	9.5	42.4
PIG-0600-168					168.3	164.0			
PIG-0800	DN200	8	295	585	219.1	214.4	19.0	11.1	68.4
PIG-1000	DN250	10	330	656	273.0	268.3	19.0	12.7	105.4
PIG-1200	DN300	12	356	751	323.9	318.3	19.0	12.7	156.1

* UL Listed as Model PIG2

UL Listing Only

Note: This document contains basic product information only. For more information, contact your local VIKING Sales Representative. Certificates, test reports and approvals may be published in the OEM name. The contents of this publication are subject to change without prior notice. All rights reserved. Images are purely for illustration only. Fireking™ is a trademark of The Viking Corporation.

Trusted above all.

The Viking Corporation (far East) Pte. Ltd. | 69 Tuas View Square, Westlink Techpark, Singapore 637621 | vikingapac@vikingcorp.com

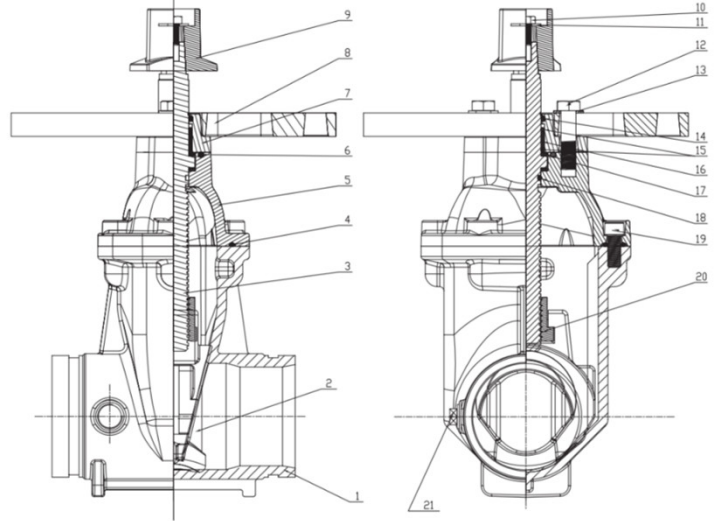




Post Indicator Valves | Flange | PIG & PIG2

Product Parts, Materials & Standards

Item	Description	Material	Specification
1	Valve Body	Ductile Iron	ASTM A536 64-45-12
2	Resilient Wedge Disc	Ductile Iron	ASTM A536 64-45-12 & EPDM
3	Stem	Stainless Steel	AISI 431
4	Bonnet Gasket	EPDM	Commercial
5	Bonnet	Ductile Iron	ASTM A536 64-45-12
6	O-Ring	NBR	Commercial
7	Gland	Ductile Iron	ASTM A536 64-45-12
8	Post Flange	Ductile Iron	ASTM A536 64-45-12
9	Square Operating Nut	Ductile Iron	ASTM A536 64-45-12
10	Bolt	Carbon Steel	Zinc Plated
11	Flat Washer	Carbon Steel	Zinc Plated
12	Bolt	Carbon Steel	Zinc Plated
13	Flat Washer	Carbon Steel	Zinc Plated
14	Ring Wiper	EPDM	Commercial
15	O-Ring	NBR	Commercial
16	Axis Guide	Brass	Hpb59-1
17	Washer	Brass	Hpb59-1
18	O-Ring	NBR	Commercial
19	Bolt	Carbon Steel	Zinc Plated
20	Wedge Nut	Brass	Hpb59-1
21	Plug	Bronze	ASTM B584 C89833



Inspection & Maintenance

1. Piping systems and valves should be thoroughly cleaned and free from ingress of foreign materials.
2. Visually inspect the valve seating and ports for cleanliness immediately prior to installation.
3. All valves should be independently supported against movement and stress from the connected piping system.
4. Ensure that the valve pressure rating is compatible with service conditions.
5. Operate the valve at least once from the open to closed position.
6. Gate valves are not suitable for throttling applications.
7. Gate valves should be installed in the vertical position on horizontal pipework and in the horizontal position on vertical pipework.
8. See indicator post datasheet for further installation instructions.

Operation

Gate valves are manually operated multi-turn valves and are opened by a handwheel or other operating device, generally in a counter-clockwise direction and then closed clockwise.

Inspection & Maintenance

Valves should be inspected periodically and should be cycled to prevent buildup of foreign materials in the piping system and valve body.

Note: This document contains basic product information only. For more information, contact your local VIKING Sales Representative. Certificates, test reports and approvals may be published in the OEM name. The contents of this publication are subject to change without prior notice. All rights reserved. Images are purely for illustration only. Fireking™ is a trademark of The Viking Corporation.

Trusted above all.

The Viking Corporation (far East) Pte. Ltd. | 69 Tuas View Square, Westlink Techpark, Singapore 637621 | vikingapac@vikingcorp.com





Indicator Post | Vertical | IPV



SPECIFICATIONS	
Application	Operate hidden or buried post indicator or NRS Valves
Compatibility	PIF or PIG models only
Valve Sizes	2"/DN40 to 16"/DN400
Indicator Positions	'OPEN' & 'SHUT'
Adjustment Range	850mm
Finish	Internally and externally coated in red epoxy RAL3000
Stem Bar	2.2 m
Approvals	cULus, FM

Trench depth

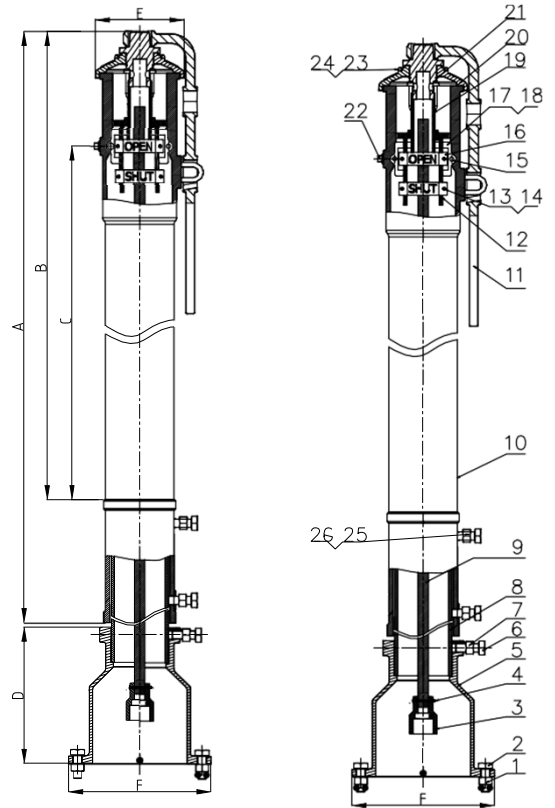
PN	Unit	Trench Depth according to Valve Size									
		DN100/4"		DN150/6"		DN200/8"		DN250/10"		DN300/12"	
		Min.	Max.	Min.	Max.	Min.	Max.	Min.	Max.	Min.	Max.
IPV	mm	958	1,808	1,073	1,923	1,200	2,050	1,314	2,164	1,448	2,298

Product Data & Part Numbers

Part Number	Dimensions (mm/inch)						Weight (kg)
	A	B	C	D	E	F	
IPV	1,270	1,006	759.5	292	190	305	98.7

Materials list

Item	Part	Material	Specification	Part Number	Weight (kg.)
1	HexNut	Carbon Steel Zinc Plated		-	-
2	HexBolt	Carbon Steel Zinc Plated		-	-
3	Socket	Ductile Iron	A536,65-45-12	IPV-SOCK	2.42
4	CotterPin	Stainless Steel	AISI304	IPV-COTT	0.02
5	Base Flange	Cast Iron	ASTMA126Class B	IPV-BF	14.52
6	HexBolt	Carbon Steel Zinc Plated		-	-
7	HexNut	Carbon Steel Zinc Plated		-	-
8	Standpipe	Carbon Steel	ASTMA53	-	-
9	Stem 1" Square	Carbon Steel	AISI1045	IPV-STEM	12.18
10	Body	Cast Iron	ASTMA126Class B	-	-
11	Locking Wrench	Ductile Iron	A536,65-45-12	IPV-WREN	3.56
12	Target Carrier Nut	Stainless Steel	AISI304	-	-
13	HexBolt	Carbon Steel Zinc Plated		-	-
14	HexNut	Carbon Steel Zinc Plated		-	-
15	HexBolt	Carbon Steel Zinc Plated		-	-
16	Target - Open	Cast Aluminum		IPV-OPEN	0.07
	Target - Shut		IPV-SHUT	0.07	
17	Window Class	Plexiglass		IPV-WIN	0.03
18	Window Gasket	PTFE		IPV-WG	0.01
19	Operating Nut	Stainless Steel	AISI304	-	-
20	Top Section	Cast Iron	ASTMA126Class B	-	-
21	Snap Ring		AISI1066	-	-
22	Plug	Malleable Iron Galvanized		-	-
23	Square Nut	Carbon Steel Zinc Plated		-	-
24	Hex Bolt	Carbon Steel Zinc Plated		-	-
25	Hex Bolt	Carbon Steel Zinc Plated		-	-
26	Hex Nut	Carbon Steel Zinc Plated		-	-



Note: This document contains basic product information only. For more information, contact your local VIKING Sales Representative. Certificates, test reports and approvals may be published in the OEM name. The contents of this publication are subject to change without prior notice. All rights reserved. Images are purely for illustration only. Fireking™ is a trademark of The Viking Corporation.

Trusted above all.

The Viking Corporation (far East) Pte. Ltd. | 69 Tuas View Square, Westlink Techpark, Singapore 637621 | vikingapac@vikingcorp.com





Indicator Post | Vertical | IPV

Installation

NOTE: Ensure that the post indicator valve is in the fully open position before installing the Vertical Indicator Post.

1.) Disassemble the Indicator Post

Take off the Locking Wrench (11), loosen the two Hex bolt (24) and Square Nut (23) and remove the Top Section (20), operating nut assembly and the Square Stem (9) as well as the socket (3). Slide off the Body (10) from the Standpipe (8) by loosening the two Hex Bolts (6) and Hex Nuts (7), slide off the Standpipe (8) from the Base Flange (5).

2.) Install the Base Flange and Lower Standpipe

Attach the Base Flange (5) together with the Standpipe (8) to the Post Flange of the post indicator valve using the four Hex nuts (1) and Hex bolts (2). Fix the Standpipe (8) to the Base Flange (5) using the Hex Bolt (6) and Hex Nut (7).

3.) Adjust the Ground Line Mark

Pull the Body (10) over the Standpipe (8) until the Ground Line Mark on the Body (10) is the same height as the ground level. Tighten the two Hex Nuts (6) and Hex Bolts (7).

4.) Adjust the Square Stem

Lower the Stem (9) into the Body (10) such that the socket (3) fits over the operating nut of the post indicator valve. Ensure that Stem (9) engages the Operating Nut (19) a minimum of 2" but no more than 4.5". To check for correct engagement, the end of stem should be 2 to 4 inches below the top of the Body (10).

5.) Adjust the Targets

Remove the Target Carrier Assembly (12, 13 & 14) from inside the Body (10) by rotating the Operating Nut (19) counter-clockwise. The "Open" Target (16) and "Shut" Target (16) are adjusted up and down on the Target Carrier Assembly (12, 13 & 14) by pulling the middle section of the Target (Open & Shut) a small distance away from the Target Carrier Assembly (12, 13 & 14) and sliding the Target (Open & Shut) up or down as desired.

- If the post indicator valve is opened by turning the handwheel counter-clockwise:

Move the two Open Targets (16) to the very top of the Target Carrier Assembly. Locate the two "Shut" Targets according to the size of the post indicator valve size (stem) turning distance.

- If the post indicator valve is opened by turning the handwheel clockwise:

Move the two "Shut" Targets to the very top of the Target Carrier Assembly (12, 13 & 14). Locate the two "Open" Targets (16) according to the size of the post indicator valve (stem) turning distance.

6.) Final Assembly and Test

Insert the Target Carrier Assembly (12, 13 & 14) back into the Top Section (20) by rotating the Operating Nut (19) clockwise. Rotate the Operating Nut (19) until the "Open" Target (16) is centered in the window of the Body (10). Lower the Top Section (20) with the Target Carrier Assembly (12, 13 & 14) onto the Body (10), carefully ensuring that the Stem (9) engages with the Operating Nut (19) at least 50 mm (2 in) but not more than 120 mm (4.5 in). Secure the Top Section (20) to the Body (10) by tightening the hex bolt (24) and Square Nut (23). Close the post indicator valve and check to make sure that the "Shut" Target is properly centered in the window of the Body (10) and adjust as necessary.

Maintenance

Lubrication

Oil the bearing in the Top Section (20) at least once a year by adding several drops of oil in the hole located on the top of the Operating Nut (19).

Note: This document contains basic product information only. For more information, contact your local VIKING Sales Representative. Certificates, test reports and approvals may be published in the OEM name. The contents of this publication are subject to change without prior notice. All rights reserved. Images are purely for illustration only. Fireking™ is a trademark of The Viking Corporation.

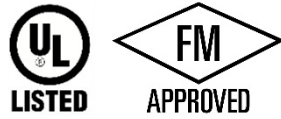
Trusted above all.

The Viking Corporation (far East) Pte. Ltd. | 69 Tuas View Square, Westlink Techpark, Singapore 637621 | vikingapac@vikingcorp.com





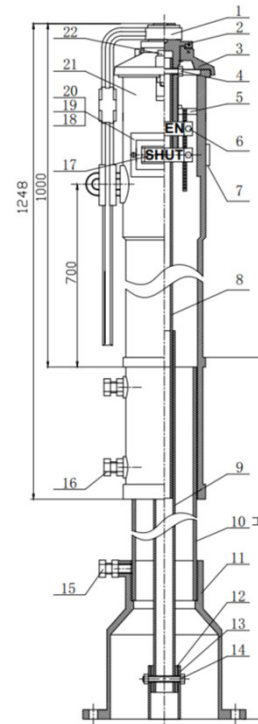
Indicator Post | Vertical | IPV-1



SPECIFICATIONS	
Application	Operate hidden or buried post indicator or NRS Valves
Compatibility	NRFL-4 or NRGL-4 models only
Valve Sizes	4"/DN100 to 12"/DN300
Indicator Positions	'OPEN' & 'SHUT'
Adjustment Range	570mm to 1,500mm
Finish	Epoxy resin coated
Conformity	UL 789, ULC / ORD-C789 & FM 1000
Approvals	UL, C-UL, FM

Materials list

Item	Part	Qty	Material	Specification
1	Handwheel	1	Ductile Iron	ASTM A536
2	Driving Rod	1	Stainless Steel 304	ASTM A276
3	Indicator Cover	1	Cast Iron	ASTM A126
4	Pin	1	Steel 1035	ASTM A29
5	Driving Nut	1	Stainless Steel 304	ASTM A276
6	Bolt	4	Steel 1035	ASTM A29
7	Screw Plug	1	Steel 1035	ASTM A29
8	Connecting Rod	1	Steel 1045	ASTM A29
9	Connecting Rod	1	Steel 1045	ASTM A29
10	Extension Rod	1	A283 Gr. C	ASTM A36
11	Flange	1	Cast Iron	ASTM A126
12	Connecting Rod	1	Steel 1045	ASTM A29
13	Connecting Rod	1	Steel 1045	ASTM A29
14	Bolt	1	Steel 1035	ASTM A29
15	Bolt	2	Steel 1035	ASTM A29
16	Bolt	2	Steel 1035	ASTM A29
17	Indicator Plate	4	A413.0	ASTM S12A
18	Keyhole Plate	2	A283 Gr. C	ASTM A36
19	Keyhole Plate Gasket	2	EPDM	ASTM D2000
20	Indicator Flap	2	Organic glass	
21	Housing	1	Cast Iron	ASTM A126
22	Bolt	2	Steel 1035	ASTM A29



Operation

1. Ensure that the gate valve is closed.
2. Measure off the length of the connecting rod according to the depth of the gate valve
3. Cut off the excess length.
4. Install the post indicator to the wall.
5. Connect the post indicator to the gate valve.
6. Adjust the indicator to the 'SHUT' position.

Note: This document contains basic product information only. For more information, contact your local VIKING Sales Representative. Certificates, test reports and approvals may be published in the OEM name. The contents of this publication are subject to change without prior notice. All rights reserved. Images are purely for illustration only. Fireking™ is a trademark of The Viking Corporation.

Trusted above all.

The Viking Corporation (far East) Pte. Ltd. | 69 Tuas View Square, Westlink Techpark, Singapore 637621 | vikingapac@vikingcorp.com





Indicator Post | Horizontal Wall | IPW



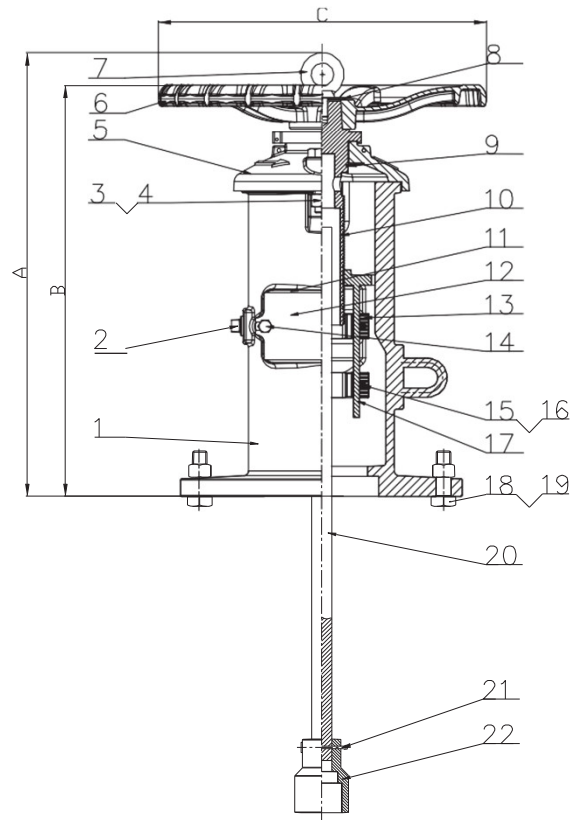
SPECIFICATIONS	
Application	Operate hidden post indicator or NRS Valves
Compatibility	PIF or PIG models only
Valve Sizes	2"/DN40 to 16"/DN400
Indicator Positions	'OPEN' & 'SHUT'
Finish	Internally and externally coated in red epoxy RAL3000
Stem Bar	1.0 m
Approvals	cULus, FM

Materials list

Item	Part	Material	Specification	Part Number	Weight (kg.)
1	Body	Cast Iron	ASTMA126 Class B	-	-
2	Plug	Malleable Iron - Galvanized		-	-
3	Square Nut	Carbon Steel - Zinc Plated		-	-
4	Hex Bolt	Carbon Steel - Zinc Plated		-	-
5	Cover	Cast Iron	ASTMA126 Class B	-	-
6	Hand wheel	Ductile Iron	A536,65-45-12	IPW-HW	3.62
7	Eye Bolt	Stainless Steel	AISI304	-	-
8	Washer	Stainless Steel	AISI304	-	-
9	Snap Ring	Spring Steel Sheet	AISI1066	-	-
10	Operating nut	Stainless Steel	AISI304	-	-
11	Window Gasket	PTFE		IPW-WG	0.01
12	Window Class	Plexiglas		IPW-WIN	0.03
13	Target - Open	Cast Aluminum		IPW-OPEN	0.07
	Target - Shut		IPW-SHUT	0.07	
14	Hex Bolt	Carbon Steel - Zinc Plated		-	-
15	Hex Bolt	Carbon Steel - Zinc Plated		-	-
16	Hex Nut	Carbon Steel - Zinc Plated		-	-
17	Target Carrier Nut	Stainless Steel	AISI304	-	-
18	Hex Nut	Carbon Steel - Zinc Plated		-	-
19	Hex Bolt	Carbon Steel - Zinc Plated		-	-
20	Stem 1" Square	Carbon Steel	AISI1045	IPW-STEM	4.49
21	Cotter Pin	Stainless Steel	AISI304	IPW-COTT	0.02
22	Socket	Ductile Iron	A536,65-45-12	-	-

Product Data & Part Numbers

Part Number	Dimensions (mm)			Weight (kg / lbs)
	A	B	C1	
IPW	497	447	356	40.5



Note: This document contains basic product information only. For more information, contact your local VIKING Sales Representative. Certificates, test reports and approvals may be published in the OEM name. The contents of this publication are subject to change without prior notice. All rights reserved. Images are purely for illustration only. Fireking™ is a trademark of The Viking Corporation.

Trusted above all.

The Viking Corporation (far East) Pte. Ltd. | 69 Tuas View Square, Westlink Techpark, Singapore 637621 | vikingapac@vikingcorp.com





Indicator Post | Horizontal Wall | IPW

Installation

NOTE: Ensure that the post indicator valve is in the fully open position before installing the Wall Post Indicator.

1.) Make the hole through the wall

Make a clearance hole that is at least 120 mm (4.7") in diameter but not greater than 180 mm (7.1") in diameter through the mounting wall. The clearance hole must be on-center and concentric with the operating nut of the post indicator valve. NOTE: A DN100/4" (114.3 mm Outside Diameter) length of pipe can be used to line the inside of the through hole. Pipe of this diameter will fit snugly into a machined mating hole on the flange side the Body (1) of the Wall Post Indicator.

2.) Drill the Mounting Holes

Drill 4 equally spaced holes on a 267 mm (10.5") bolt circle into the mounting wall using a 3-4" (19 mm) drill bit. The bolt circle must be concentric and on center with the operating nut of the post indicator valve.

3.) Mount the Wall Post Indicator

Bolt the flange of the Body (1) of the Wall Post Indicator to the wall using 4 bolts (18 & 19).

4.) Remove the Cover

With the Body (1) flange of the Wall Post Indicator securely bolted to the mounting wall, remove the Cover (5) by removing the two Bolts (4) and Nuts (3). Slide the Cover (5) off of the Wall Post Indicator Body (1).

5.) Insert and measure the Stem Rod

With the Cover (5) still separated from the Body (1), slide the Stem (20), Cotter Pin (21) and Socket (22) assembly through the Wall Post Indicator Body (1) and through the wall such that the Socket (22) fully engages with the operating nut of the non-rising stem gate valve. With the Socket (22) fully engaged on the operating nut of the non-rising stem gate valve, put a mark on the Stem (20) that is between 32 mm (1.25") below the top surface of the Body (1) but not more than 50 mm (2") above the top surface of the Body (1).

6.) Cut the Stem Rod

Cut the stem rod at the mark made in Step 5.

7.) Adjust the Target Plates

Adjust the "Open" Target Plates (15) such that they are squarely centered in the Windows (11) when the post indicator valve is in the fully open position. Repeat this procedure with the "Shut" Target Plates (15) when the post indicator valve is fully closed. Adjustment is made by loosening Hex Bolt (16) and Nut (17).

8.) Re-assemble the Wall Post Indicator

Insert the Cover (5) back onto the Body (1) such that the ears on either side of the Target Nut fit into the grooves on the inside edges of the Body (1). Tighten the two Nuts and Bolts (4)(3). Verify that the "Open" and "Shut" Target (13) is in the proper position by fully opening and closing the post indicator valve using the Handwheel (6). Adjust as necessary.

Maintenance

Lubrication

Oil the bearing in the Body (1) at least once a year by adding several drops of oil in the hole located on the top of the Operating Nut (10).

Note: This document contains basic product information only. For more information, contact your local VIKING Sales Representative. Certificates, test reports and approvals may be published in the OEM name. The contents of this publication are subject to change without prior notice. All rights reserved. Images are purely for illustration only. Fireking™ is a trademark of The Viking Corporation.

Trusted above all.

The Viking Corporation (far East) Pte. Ltd. | 69 Tuas View Square, Westlink Techpark, Singapore 637621 | vikingapac@vikingcorp.com





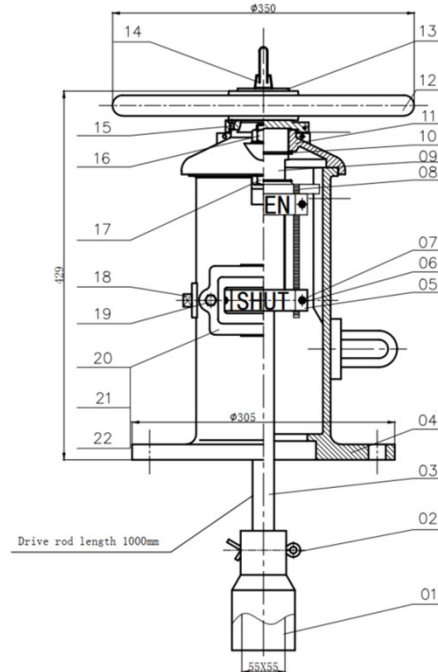
Indicator Post | Horizontal Wall | IPW-1



SPECIFICATIONS	
Application	Operate hidden or buried post indicator or NRS Valves
Compatibility	NRFL-4 or NRGL-4 models only
Valve Sizes	4"/DN100 to 12"/DN300
Indicator Positions	'OPEN' & 'SHUT'
Finish	Epoxy resin coated
Conformity	UL 789, ULC / ORD-C789 & FM 1000
Approvals	UL, C-UL, FM

Materials list

Item	Part	Qty	Material	Specification
1	Joint	1	Cast Iron	ASTM A126
2	Cotter Pin	1	Steel 1035	ASTM A29
3	Driving Rod	1	Steel 1045	ASTM A29
4	Main body	1	Cast Iron	ASTM A126
5	Indicator Plate	4	A413.0	ASTM S12A
6	Gasket Nut	4	Steel 1035	ASTM A29
7	Stud Bolt	4	Steel 1035	ASTM A29
8	Position Bracket	1	Stainless Steel 304	ASTM A276
9	Driver	1	Stainless Steel 304	ASTM A276
10	Retainer Ring	1	Steel 1566	ASTM A29
11	Upper Cover	1	Cast Iron	ASTM A126
12	Handwheel	1	Cast Iron	ASTM A126
13	Gasket	1	A283 Gr. C	ASTM A36
14	Lift Ring	1	Steel 1035	ASTM A29
15	Screw	1	Steel 1035	ASTM A29
16	Nut	2	Steel 1035	ASTM A29
17	Bolt	2	Steel 1035	ASTM A29
18	Screw Plug	1	Steel 1035	ASTM A29
19	Bolt, Flat Gasket	4	Stainless Steel 304	ASTM A276
20	Keyhole Plate	2	A283 Gr. C	ASTM A36
21	Key Hole	2	Organic glass	
22	Keyhole Plate Gasket	2	EPDM	ASTM D2000



Operation

1. Ensure that the gate valve is closed.
2. Remove the indicator cover.
3. Measure off the length of the connecting rod according to the depth of the gate valve and cut off the excess length.
4. Connect the post indicator to the gate valve.
5. Adjust the indicator to the 'SHUT' position.
6. Tighten the flange connection bolts.
7. Install the indicator cover

Note: This document contains basic product information only. For more information, contact your local VIKING Sales Representative. Certificates, test reports and approvals may be published in the OEM name. The contents of this publication are subject to change without prior notice. All rights reserved. Images are purely for illustration only. Fireking™ is a trademark of The Viking Corporation.

Trusted above all.

The Viking Corporation (far East) Pte. Ltd. | 69 Tuas View Square, Westlink Techpark, Singapore 637621 | vikingapac@vikingcorp.com





SPECIFICATIONS	
Sizes	2"/DN50, 2½"/DN65, 3"/DN80, 4"/DN100, 5"/DN125, 6"/DN150, 8"/DN200, 10"/DN250, 12"/DN300
Working Pressure	300 psi / 21bar (UL & FM) 363 psi / 25bar (VdS & LPCB)
Working Temperature	0°C to 80°C (32°C to 176°C)
Finish	Fusion bonded epoxy coated, internal and external
Material (body)	Ductile iron
Connections	Flange diameter and thickness according to ANSI B16.1 Class 125, EN1092-2 PN10 or EN1092-2 PN16
Specifications	Complys with AWWA C508, clear waterway design
Approvals	cULus, FM, LPCB, VdS

Product Data & Part Numbers

Part Number*			Nominal Pipe Size		Dimensions (mm)										Weight (Kg)
ANSI	PN10	PN16	Metric	Inch	L	D	b	H	Flat			Bolt			
									ANSI	PN16	PN10	ANSI	PN16	PN10	
SCF-0200		SCF-0200PN	DN50	2	203	152	16.0	133	120.5		125	4-Ø19.1			11.2
SCF-0250		SCF-0250PN	DN65	2½	254	178	17.5	150	139.5		145	4-Ø19.1			16.7
SCF-0300		SCF-0300PN	DN80	3	279	191	19.0	150	152.5		160	4-Ø19.1	8-Ø19.1		22.5
SCF-0400		SCF-0400PN	DN100	4	330	229	24.0	218	190.5		180	8-Ø19.1	8-Ø19.1		34.9
		SCF-0600	DN150	6	406	279	25.5	290	241.5		240	8-Ø22.2	8-Ø23		65.2
SCF-0800	SCF-0800PN10	SCF-0800PN16	DN200	8	495	343	28.5	330	298.5		295	8-Ø22.2	12-Ø23	8-Ø23	120.7
SCF-1000	SCF-1000PN10	SCF-1000PN16	DN250	10	622	406	30.5	350	362.0	355	350	12-Ø25.4	12-Ø28	12-Ø23	180.9
SCF-1200	SCF-1200PN10	SCF-1200PN16	DN300	12	660	483	32.0	375	432.0	410	400	12-Ø25.4	12-Ø28	12-Ø23	242.3

* Valve flange drilling (size and location of bolt holes and pitch circle diameter) allows mating with the following flange types.

ANSI = ANSI B16.1

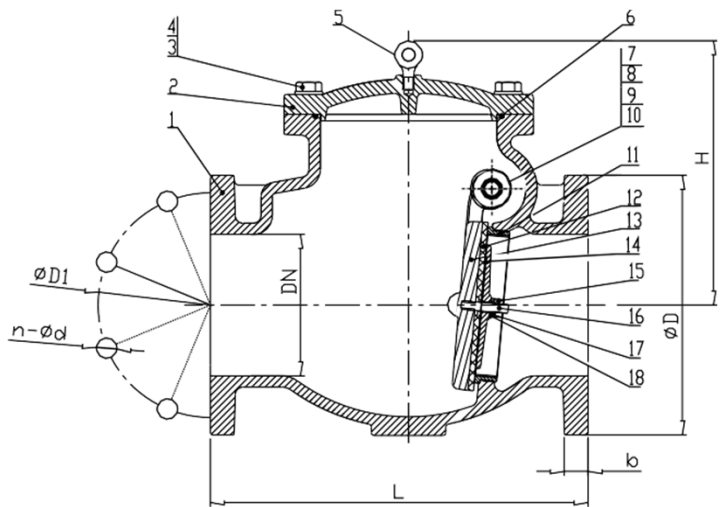
PN10 = DIN 2501, EN 1092 - PN10

PN16 = DIN 2501, EN 1092 - PN16

Materials list

Item	Description	Material	ASTM Specifications
1	Valve body	Ductile iron	ASTM A53665-45-12
2	Bonnet	Ductile iron	ASTM A53665-45-12
3	Bolts	Zinc plated carbon steel	
4	Washer	Zinc plated carbon steel	
5	Eyebolt	Zinc plated carbon steel	
6	O-ring	NBR	Commercial
7	Washer	PTFE	
8	Plug	Stainless steel	AISI304
9	Hinge bushing	Brass	ASTM B16C36000
10	Hinge pin	Stainless steel	AISI410
11	Seat ring	Bronze	ASTMB62
12	Seal	EPDM	Commercial
13	Disc	Ductile iron	ASTM A53665-45-12
14	Plate	Ductile iron	ASTM A53665-45-12
15	Nut	Stainless steel	AISI304
16	Bolt	Stainless steel	AISI304
17	Spring washer	Stainless steel	AISI304
18	Falt washer	Stainless steel	AISI304
19	Plug*	Tin bronze	

* Not shown on drawing



Note: This document contains basic product information only. For more information, contact your local VIKING Sales Representative. Certificates, test reports and approvals may be published in the OEM name. The contents of this publication are subject to change without prior notice. All rights reserved. Images are purely for illustration only. Fireking™ is a trademark of The Viking Corporation.

Trusted above all.

The Viking Corporation (far East) Pte. Ltd. | 69 Tuas View Square, Westlink Techpark, Singapore 637621 | vikingapac@vikingcorp.com





Check Valves | Swing | Flange | SCF

Installation

When the valves are received from VIKING they should be handled carefully to avoid breakage and damage to the seating area. Before installation of the valve:

1. Check the valve pressure rating is compatible with service conditions.
2. Clean the piping and connecting flanges.
3. Visually inspect the valve seat and ports for cleanliness immediately prior to installation.
4. Operate the valve at least once from the open to closed position prior to installation.
5. Verify that the valve flow direction is correct.
6. Check valves installed vertically shall only flow water from below to above the valve.
7. Check valves installed horizontally shall be installed such that the clapper can fall back to the closed position, i.e. in the position shown on **page 1**.
8. Position the valve centrally between mating flanges.
9. Install bolts through the lugs and tighten carefully ensuring even contact between the flange face and Elastomer. Forcing the valves into a tight space will cause damage to the Elastomer and should be avoided.
10. To prevent distortion, properly support the piping adjacent to the inlet and outlet of the valve. Avoid damage and do not use the valve to force the piping into position.

Inspection & Maintenance

Inspect and verify proper operation on an annual basis or according to the requirements of the Authority Having Jurisdiction. Check for leakage at the valve pipe connection and body-to-operator connection. Installation, inspection and maintenance should be performed by a qualified person certified by the Authority Having Jurisdiction. If the valve closes hard, check to make sure that there is no debris lodged in the waterway around the seating area.

1. Valves should be inspected periodically and should be cycled to prevent buildup of foreign materials in the piping system and valve body.
2. Damaged clapper or cover gaskets should be replaced.

Note: This document contains basic product information only. For more information, contact your local VIKING Sales Representative. Certificates, test reports and approvals may be published in the OEM name. The contents of this publication are subject to change without prior notice. All rights reserved. Images are purely for illustration only. Fireking™ is a trademark of The Viking Corporation.

Trusted above all.

The Viking Corporation (far East) Pte. Ltd. | 69 Tuas View Square, Westlink Techpark, Singapore 637621 | vikingapac@vikingcorp.com





Check Valves | Swing | Groove | SCG



SPECIFICATIONS	
Sizes	2"/DN50, 2½"/DN65, 3"/DN80, 4"/DN100, 5"/DN125, 6"/DN150, 8"/DN200, 10"/DN250, 12"/DN300
Working Pressure	300 psi / 21bar (UL & FM) 363 psi / 25bar (VdS & LPCB)
Working Temperature	0°C to 80°C (32°C to 176°C)
Finish	Fusion bonded epoxy coated, internal and external
Material (body)	Ductile iron
Connections	Flange diameter and thickness according to ANSI B16.1 Class 125, EN1092-2 PN10 or EN1092-2 PN16
Specifications	Complys with AWWA C508, clear waterway design
Approvals	cULus, FM, LPCB, VdS

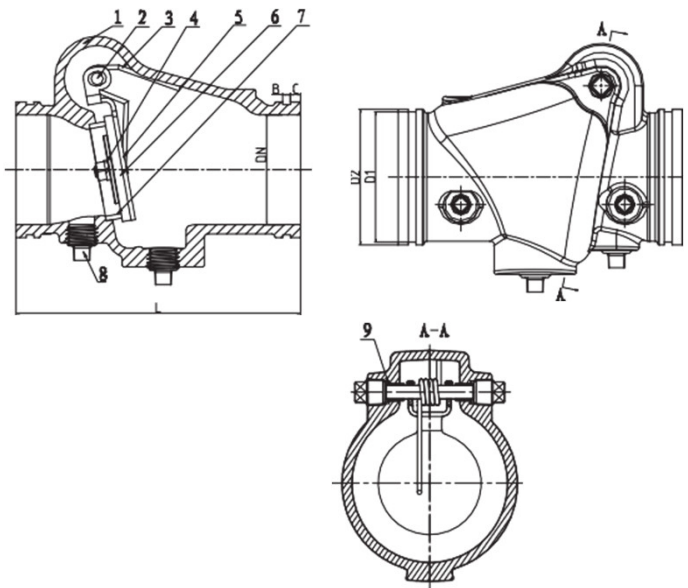
Product Data & Part Numbers

Partnumber	Nominal pipe size		Dimensions (mm)					Weight (kg)
	Metric	inch	L	D1	D2	b	c	
SCG-0200	DN50	2	172	57.2	60.3	7.9	15.9	3.3
SCG-0250-073*	DN65	2-1/2	184	69.1	73.0	7.9		3.6
SCG-0250-076				72.3	76.1			4.6
SCG-0300	DN80	3	197	84.9	88.9	7.9		7.4
SCG-0400	DN100	4	206	110.1	114.3	9.5		16.2
SCG-0600-165*	DN150	6	325	160.9	165.1	9.5	19.1	16.2
SCG-0600-168				164.0	168.3			26.9
SCG-0800	DN200	8	372	214.4	219.1	11.1		26.9
SCG-1000	DN250	10	457	268.3	273.0			51.9
SCG-1200	DN300	12	535	318.3	323.9	12.7		75.6

* without VdSapproval

Materials list

Item	Part Name	Material	ASTM Specification
1	Valve body	Ductile Iron	ASTM A 536 Gr. 65-45-12
2	Hinge pin	Stainless Steel	AISI420
3	Spring	Stainless Steel	AISI304
4	Spring Washer	Stainless Steel	AISI304
5	Disc	DN50-DN100 Stainless Steel DN150-DN300 Ductile Iron	AISI304 ASTM A 536 Gr. 65-45-12
6	Disc Sealing Ring	EPDM	Commercial
7	Seat Ring	Bronze	ASTM B62C83600
8	Plug	Malleable Iron - Galvanised	
9	Bushing	Bronze	ASTM B62C83600



Note: This document contains basic product information only. For more information, contact your local VIKING Sales Representative. Certificates, test reports and approvals may be published in the OEM name. The contents of this publication are subject to change without prior notice. All rights reserved. Images are purely for illustration only. Fireking™ is a trademark of The Viking Corporation.

Trusted above all.

The Viking Corporation (far East) Pte. Ltd. | 69 Tuas View Square, Westlink Techpark, Singapore 637621 | vikingapac@vikingcorp.com





Check Valves | Swing | Groove | SCG

Installation

When the valves are received from VIKING they should be handled carefully to avoid breakage and damage to the seating area. Before installation of the valve:

1. Check the valve pressure rating is compatible with service conditions.
2. Clean the piping and connecting couplings.
3. Visually inspect the valve seat and ports for cleanliness immediately prior to installation.
4. Operate the valve at least once from the open to closed position prior to installation.
5. Verify that the valve flow direction is correct.
6. Check valves installed vertically shall only flow water from below to above the valve.
7. Check valves installed horizontally shall be installed such that the clapper can fall back to the closed position, i.e. in the position shown on **page 1**.
8. Position the valve centrally between mating pipes.
9. Lubricate the coupling gaskets and slide them into position. Assemble the couplings according to their instructions.
10. To prevent distortion, properly support the piping adjacent to the inlet and outlet of the valve. Avoid damage and do not use the valve to force the piping into position.

Inspection & Maintenance

Inspect and verify proper operation on an annual basis or according to the requirements of the Authority Having Jurisdiction. Check for leakage at the valve pipe connection and body-to-operator connection. Installation, inspection and maintenance should be performed by a qualified person certified by the Authority Having Jurisdiction. If the valve closes hard, check to make sure that there is no debris lodged in the waterway around the seating area.

1. Valves should be inspected periodically and should be cycled to prevent buildup of foreign materials in the piping system and valve body.
2. Damaged clapper or cover gaskets should be replaced.

Note: This document contains basic product information only. For more information, contact your local VIKING Sales Representative. Certificates, test reports and approvals may be published in the OEM name. The contents of this publication are subject to change without prior notice. All rights reserved. Images are purely for illustration only. Fireking™ is a trademark of The Viking Corporation.

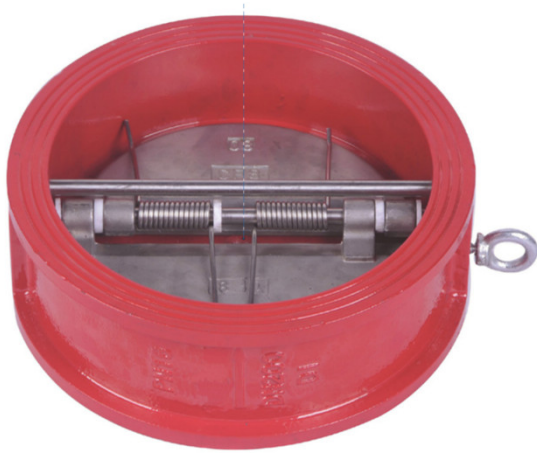
Trusted above all.

The Viking Corporation (far East) Pte. Ltd. | 69 Tuas View Square, Westlink Techpark, Singapore 637621 | vikingapac@vikingcorp.com





Check Valves | Double Door | Wafer | DDW



SPECIFICATIONS	
Sizes	2"/DN50, 2½"/DN65, 3"/DN80, 4"/DN100, 5"/DN125, 6"/DN150, 8"/DN200, 10"/DN250, 12"/DN300
Working Pressure	235 psi / 16bar
Finish	Fusion bonded epoxy coated, internal and external
Material (body)	Ductile iron
Connections	Designed to fit between the mating flanges in accordance with EN 1092 PN16

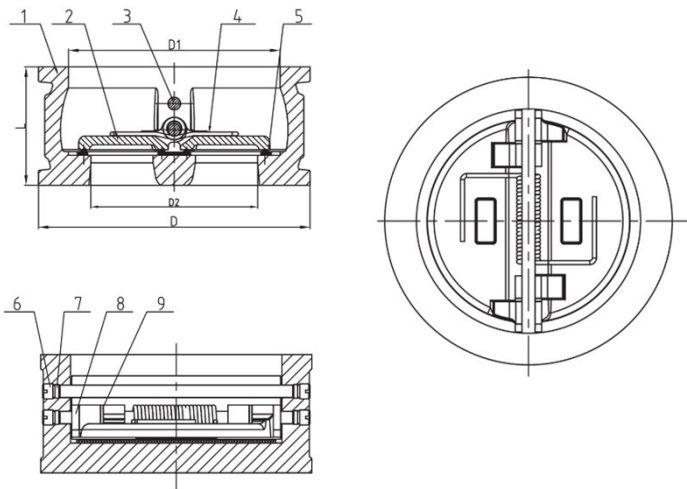
Product Data & Part Numbers

Part number*	Nominal pipe size		Dimensions (mm)				Weight (kg)
	Metric	inch	L	D	D1	D2	
DDW-0200PN	DN50	2	54	107	64	46	1.5
DDW-0250PN	DN65	2½	54	127	78	60	2.2
DDW-0200PN	DN80	3	57	142	94	70	2.8
DDW-0400PN	DN100	4	64	162	117	84	4.1
DDW-0500PN	DN125	5	70	192	145	115	6.3
DDW-0600	DN150	6	76	218	170	134	6.2
DDW-0800PN16	DN200	8	95	273	224	184	14.9
DDW-1000PN16	DN250	10	108	328	265	220	25.4
DDW-1200PN16	DN300	12	143	378	310	260	38.1

* The Double Door Check Valve referenced fits between the mating flanges as follows: PN16 = DIN 2501, BS 4504, EN 1092 - PN10/16

Materials list

Item	Part Name	Material	ASTM Specification
1	Valve body	Ductile Iron	A 536 65-45-12
2	Disc	Stainless Steel	AISI 316
3	Stem	Stainless Steel	AISI 420
4	Spring	Stainless Steel	AISI 304
5	Rubber Seat	EPDM	Commercial
6	Screw	Carbon Steel	
7	Shaft Seal	EPDM	Commercial
8	Washer	PTFE	Commercial
9	Washer	PTFE	Commercial



Note: This document contains basic product information only. For more information, contact your local VIKING Sales Representative. Certificates, test reports and approvals may be published in the OEM name. The contents of this publication are subject to change without prior notice. All rights reserved. Images are purely for illustration only. Fireking™ is a trademark of The Viking Corporation.

Trusted above all.

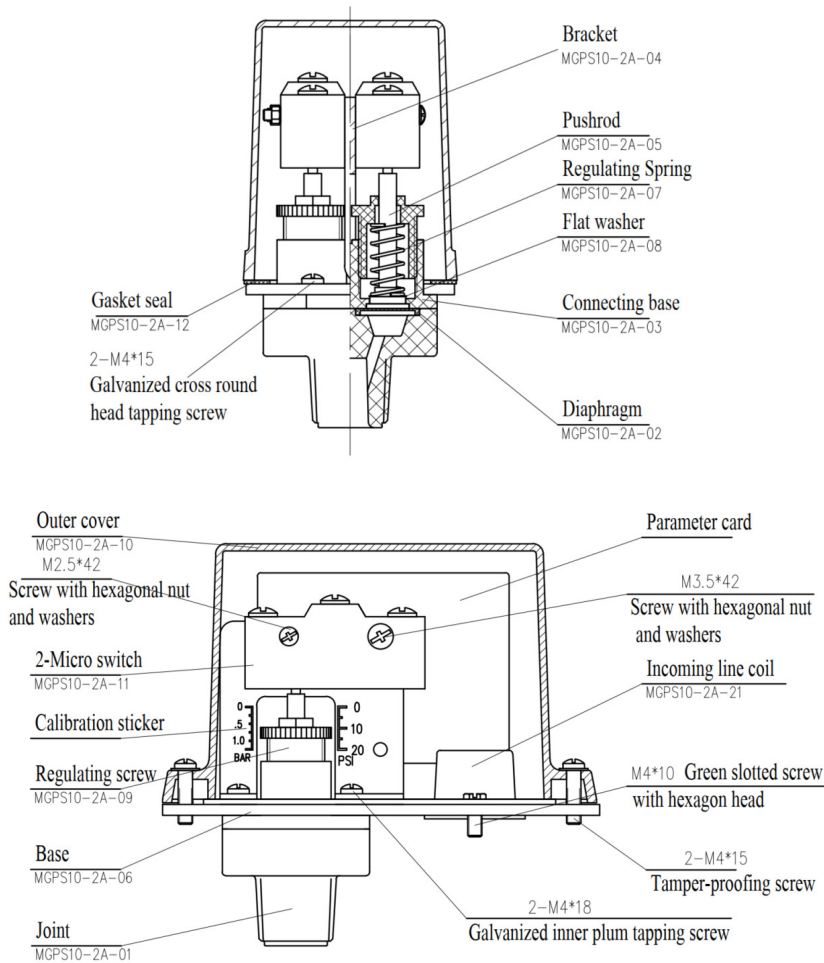
The Viking Corporation (far East) Pte. Ltd. | 69 Tuas View Square, Westlink Techpark, Singapore 637621 | vikingapac@vikingcorp.com





SPECIFICATIONS	
Contact Ratings	Two SPDT (Form C) 15 Amps at 125/250VAC, 2.5 Amps at 0-30VDC Resistive
Factory Setting	5-7 psi / 0.34-0.48 bar
Differential Pressure	1 psi / 0.07 bar
Maximum Working Pressure	250psi
Enclosure	IP66
Working Temperature	-40 to 60°C / -40 to 140°F
Outer Cover	Die Cast (Coated Red)
Base Plate	Galvanised Carbon Steel
Approvals	UL

Materials list



Note: This document contains basic product information only. For more information, contact your local VIKING Sales Representative. Certificates, test reports and approvals may be published in the OEM name. The contents of this publication are subject to change without prior notice. All rights reserved. Images are purely for illustration only. Fireking™ is a trademark of The Viking Corporation.

Trusted above all.

The Viking Corporation (far East) Pte. Ltd. | 69 Tuas View Square, Westlink Techpark, Singapore 637621 | vikingapac@vikingcorp.com





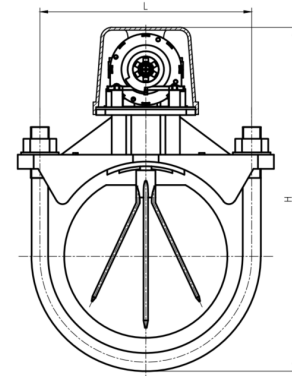
Switches | Water Flow | Vane Type | WFS-A



SPECIFICATIONS	
Nominal Size	2"/DN50, 2½"/DN65, 3"/DN80, 4"/DN100, 5"/DN125, 6"/DN150, 8"/DN200
Maximum Pressure Rating	450psi / 31 bar
Electrical Ratings	125/250 VAC 8A 30 VDC / 2.5A 24 VDC / 3A
Flow Rate for Alarm:	4 – 10 gpm / 15.0 – 37.5 lpm (UL) 4-20 gpm / 15.0 – 75 lpm (FM)
Working Temperature	0 to 49°C / 32 to 120°F
Approvals	UL

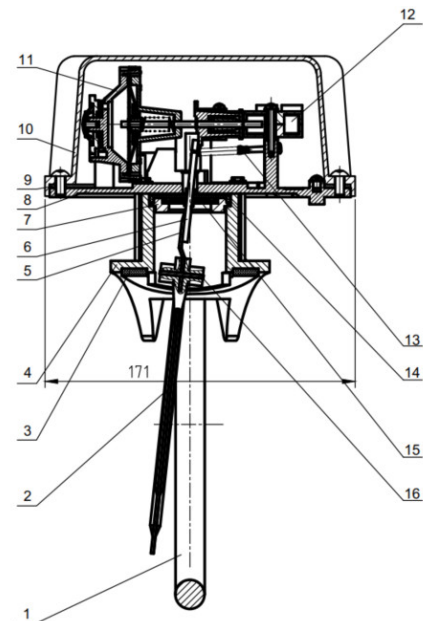
Product Data & Part Numbers

Part Number	Size		Dimensions (mm)		Hole Size (mm)
	metric	inch	L	H	
	DN50	2	85	188	32
	DN65	2½	92	200	32
	DN80	3	106	220	51
	DN100	4	134	245	51
	DN125	5	162	272	51
	DN150	6	189.5	298	51
	DN200	8	240	350	51



Materials list

Item	Part Name	Qty	Material	Standard
1	U Bolt	1	Carbon Steel	ASTM A36
2	Vane	1	LLDPE	
3	Sealing Gasket	1	EPDM	ASTM D2000
4	Frame	1	Ductile Iron	ASTM A536
5	Connector	1	SS304	ASTM A276
6	Shaft	1	SS304	ASTM A276
7	Plastic Bracket	1	POM	
8	Base Plate	1	SS304	ASTM A276
9	Dust Proof Gasket	1	EVA	
10	Outer Cover	1	Aluminum	ASTM B85
11	Decelerator	1	-	-
12	Microswitch	2	-	-
13	Connecting Spring	1	SS304	ASTM A276
14	Seal	1	SS304 + EPDM	ASTM A276 + ASTD2000
15	Bracket	1	SS304	ASTM A276
16	Hollow Pin	1	SS304	ASTM A276



Note: This document contains basic product information only. For more information, contact your local VIKING Sales Representative. Certificates, test reports and approvals may be published in the OEM name. The contents of this publication are subject to change without prior notice. All rights reserved. Images are purely for illustration only. Fireking™ is a trademark of The Viking Corporation.

Trusted above all.

The Viking Corporation (far East) Pte. Ltd. | 69 Tuas View Square, Westlink Techpark, Singapore 637621 | vikingapac@vikingcorp.com





Strainers | Flange | YSF



SPECIFICATIONS	
Sizes	2"/DN50, 2½"/DN65, 3"/DN80, 4"/DN100, 5"/DN125, 6"/DN150, 8"/DN200, 10"/DN250, 12"/DN300
Working Pressure	300 psi / 21bar
Finish	Fusion bonded epoxy coated, internal and external
Material (body)	Ductile iron
Connections	Flange diameter and thickness according to ANSI B16.1 Class 125 or EN1092-2 PN16
Approvals	cULus

Product Dimensions

Part Number*		Nominal Pipe Size		Dimensions (mm)								Drain Plug BSP Thread	Screen Size (mm)	Weight (kg)
ANSI	PN16	Metric	inch	L	D	b	H	D1		n-ØL				
								ANSI	PN16	ANSI	PN16			
YSF-0200	YSF-0200PN	DN50	2	200	152	16	155	120.7	125	4-Ø19.1		1"	1.5	8.7
YSF-0250	YSF-0250PN	DN65	2½	254	178	17.5	165	139.7	145	4-Ø19.1		1"	1.5	12.2
YSF-0300	YSF-0300PN	DN80	3	257	191	19	180	152.4	160	4-Ø19.1	8-Ø19.1	1"	1.5	13.8
YSF-0400	YSF-0400PN	DN100	4	308	229	24	229	190.5	180	8-Ø19.1	8-Ø19.1	1"	1.5	23.9
	YSF-0600	DN150	6	470	279	25.5	311	241.3	240	8-Ø22.2	8-Ø23	1-1/2"	1.5	43.8
YSF-0800	YSF-0800PN16	DN200	8	549	343	28.5	394	298.5	295	8-Ø22.2	12-Ø23	1-1/2"	2	75.4
YSF-1000	YSF-1000PN16	DN250	10	654	406	30.5	487	362.0	355	12-Ø25.5	12-Ø28	2"	2	109.3
YSF-1200	YSF-1200PN16	DN300	12	759	483	32	547	431.8	410	12-Ø25.5	12-Ø28	2"	2	173.1

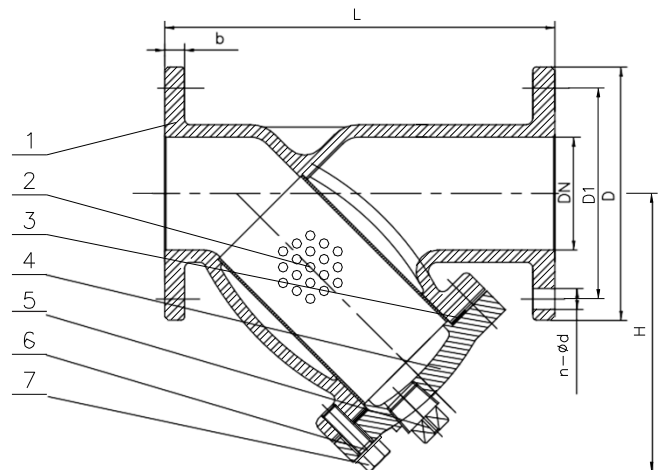
* Valve flange drilling (size and location of bolt holes and pitch circle diameter) allows mating with the following flange types :
ANSI = ANSI B16.1 Class 125 PN16 = DIN 2501, BS 4504, EN 1092 - PN16

Stainer Specification

DN		Hole Dia. (mm)	Free Flow Area (%)
Inch	mm		
2-6	50-150	1.5	33
8-12	200-300	2.0	33

Material list

Item	Description	Material	Specification
1	Valve Body	Ductile Iron	ASTM A536 65-45-12
2	Screen	Stainless Steel	AISI 304 (Perforated)
3	Gasket	EPDM	Commercial
4	Cover	Ductile Iron	ASTM A536 65-45-12
5	Plug	Malleable Iron	Galvanized
6	Bolt	Carbon Steel	Zinc Plated
7	Flat Washer	Carbon Steel	Zinc Plated



Note: This document contains basic product information only. For more information, contact your local VIKING Sales Representative. Certificates, test reports and approvals may be published in the OEM name. The contents of this publication are subject to change without prior notice. All rights reserved. Images are purely for illustration only. Fireking™ is a trademark of The Viking Corporation.

Trusted above all.

The Viking Corporation (far East) Pte. Ltd. | 69 Tuas View Square, Westlink Techpark, Singapore 637621 | vikingapac@vikingcorp.com





Strainers | Groove | YSG



SPECIFICATIONS

Sizes	2"/DN50, 2½"/DN65, 3"/DN80, 4"/DN100, 5"/DN125, 6"/DN150, 8"/DN200, 10"/DN250, 12"/DN300
Working Pressure*	300 psi / 21bar
Finish	Fusion bonded epoxy coated, internal and external
Material (body)	Ductile iron
Connections	Grooved joint dimensions are made in accordance with ANSI/AWWA C606 (ductile iron pipe and steel pipe) and metric pipe specifications
Approvals	cULus

* Pressure ratings require the use of couplings with equivalent pressure ratings. Rigid couplings are recommended for all valve end connections

Product Dimensions

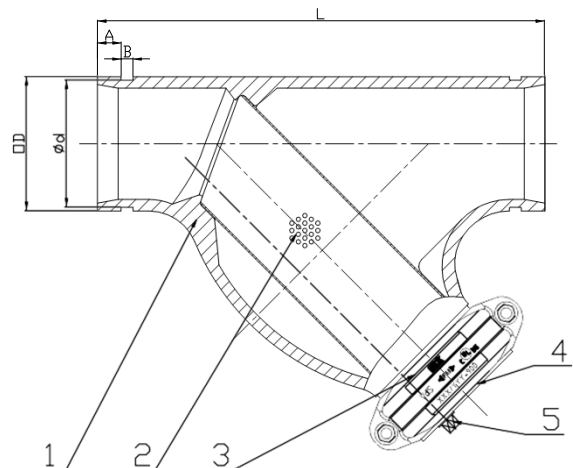
Reference	Nominal Pipe Size		Pipe O.D. (mm)	Drain Plug BSP Thread	Screen Size (mm)	Dimensions (mm)				Weight (kg)
	Metric	inch				L	D	A	B	
YSG-0200	DN50	2	60.3	15mm	4	247.5	57.2	15.9	7.9	3.8
YSG-0250-073	DN65	2½	73.0	25mm	4	273	69.1	15.9	7.9	6.2
YSG-0250-076			76.1				72.3	15.9	7.9	6.4
YSG-0300	DN80	3	88.9	25mm	5	298.5	84.9	15.9	7.9	9.2
YSG-0400	DN100	4	114.3	40mm	5	362	110.1	15.9	9.5	15.3
YSG-0500-139	DN125	5	139.7	50mm	5	419	135.5	15.9	9.5	21.6
YSG-0500-141			141.3				137.0	15.9	9.5	21.8
YSG-0600-165	DN150	6	165.1	50mm	5	470	160.0	15.9	9.5	32.0
YSG-0600-168			168.3				164.0	15.9	9.5	32.7
YSG-0800	DN200	8	219.1	50mm	5	609	214.4	19.1	11.1	70.9
YSG-1000	DN250	10	273.0	50mm	5	686	268.3	19.1	12.7	108.6
YSG-1200	DN300	12	323.9	50mm	5	762	318.3	19.1	12.7	159.4

Strainer Specification

DN		Hole Dia. (mm)	Free Flow Area (%)
Inch	mm		
2-2-1/2	50-65	4	48
3-12	80-300	5	53

Material list

Item	Description	Material	Specification
1	Valve Body	Ductile Iron	ASTM A53665-45-12
2	Screen	Stainless Steel	AISI 304 (Perforated)
3	Rigid Coupling	Ductile Iron	ASTM A53665-45-12
	Coupling Gasket	EPDM	Commercial
4	Cap	Ductile Iron	ASTM A53665-45-12
5	Plug	Malleable Iron	Galvanized



Note: This document contains basic product information only. For more information, contact your local VIKING Sales Representative. Certificates, test reports and approvals may be published in the OEM name. The contents of this publication are subject to change without prior notice. All rights reserved. Images are purely for illustration only. Fireking™ is a trademark of The Viking Corporation.

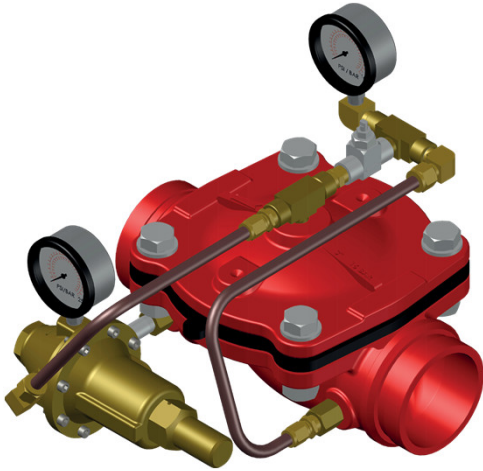
Trusted above all.

The Viking Corporation (far East) Pte. Ltd. | 69 Tuas View Square, Westlink Techpark, Singapore 637621 | vikingapac@vikingcorp.com





Pressure Control | Pressure Reducing | Flange, Groove, Thread | FK-PRV3



SPECIFICATIONS	
Application	Installed in fire protections systems to maintain the desired outlet set pressure regardless of incoming pressure.
Sizes	1½"/DN40, 2"/DN50, 2½"/DN65, 3"/DN80, 4"/DN100, 6"/DN150, 8"/DN200, 10"/DN250, 12"/DN300
Rated Working Pressure	UL: 17.2 bar / 250 psi FM: 20.7 bar / 300 psi
Outlet Set Pressure	UL: 5.5-13.8 bar / 80-200psi (2" to 3", 8" to 12") 2.4-13.8 bar / 35-200psi (4" & 6") FM: 3.4 – 13.8 bar / 50-200psi
Finish	Fusion bonded epoxy coated, internal and external
Connections	Threaded: BSP or NPT (DN40 & DN50) Flange: ANSI #150 or PN16 EN1092-2 Groove: AWWA C606
Approvals	*UL, FM

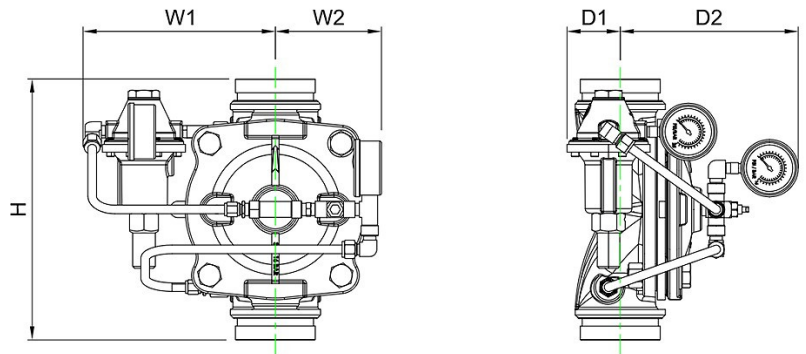
* 2"/DN50 to 10"/DN250 sizes.

Product Dimensions

Size		1½"/DN40	2"/DN50	2½"/DN65	3"/DN80	4"/DN100	6"/DN150	8"/DN200	10"/DN250	12"/DN300
Dimensions (mm)	H	197	198	225	290	346	412	470	635	749
	D1	54	56	54	59	65	88	125	197	234
	D2	158	168	185	197	216	278	348	389	394
	W1	117	115	115	119	133	169	177	233	240
	W2	154	177	204	212	233	281	277	248	248

Materials list

Description	Material
Valve body	Ductile iron, ASTM A536
Valve diaphragm	Nitrile
Pilot valve (17.2 bar / 250 psi) and bracket	Brass, nickel plated (valve) AISI 316 (bracket)
Trim tubing	Copper, Type L
Trim fittings	Brass
Pressure gauge, 90 mm diameter, 1/4" NPT	Stainless steel casing, brass fitting Inlet: 0-25 bar / 0-363 psi Outlet: 0-16 bar / 0-232 psi
Needle valve	Brass, nickel plated



Note: This document contains basic product information only. For more information, contact your local VIKING Sales Representative. Certificates, test reports and approvals may be published in the OEM name. The contents of this publication are subject to change without prior notice. All rights reserved. Images are purely for illustration only. Fireking™ is a trademark of The Viking Corporation.

Trusted above all.

The Viking Corporation (far East) Pte. Ltd. | 69 Tuas View Square, Westlink Techpark, Singapore 637621 | vikingapac@vikingcorp.com





Pressure Control | Pressure Reducing | Flange & Groove | FK-RV

Part Numbers & Weights

Size	Connection	Material	Finish	Part Number		Weight (Kg)
				Horizontal	Vertical	
1½"/DN40(48.3)	Groove X Groove	Ductile Iron	Fusion Bonded Epoxy / Polyester	FK-PRV3-H048GD	FK-PRV3-V048GD	7.8
2"/DN50(60.3)				FK-PRV3-H060GD	FK-PRV3-V060GD	8.7
2½"/DN65(73.0)				FK-PRV3-H073GD	FK-PRV3-V073GD	15
2½"/DN65(76.1)				FK-PRV3-H076GD	FK-PRV3-V076GD	15
3"/DN80(88.9)				FK-PRV3-H089GD	FK-PRV3-V089GD	16
4"/DN100(114.3)				FK-PRV3-H114GD	FK-PRV3-V114GD	21
6"/DN150(165.1)				FK-PRV3-H165GD	FK-PRV3-V165GD	36
6"/DN150(168.3)				FK-PRV3-H168GD	FK-PRV3-V168GD	36
8"/DN200(219.1)				FK-PRV3-H219GD	FK-PRV3-V219GD	52
1½"/DN40				Flange X Flange (ANSI)	FK-PRV3-H0150FAD	FK-PRV3-V0150FAD
2"/DN50	FK-PRV3-H0200FAD				FK-PRV3-V0200FAD	12
2½"/DN65	FK-PRV3-H0250FAD				FK-PRV3-V0250FAD	15.5
3"/DN80	FK-PRV3-H0300FAD				FK-PRV3-V0300FAD	21.5
4"/DN100	FK-PRV3-H0400FAD				FK-PRV3-V0400FAD	28
6"/DN150	FK-PRV3-H0600FAD				FK-PRV3-V0600FAD	52
8"/DN200	FK-PRV3-H0800FAD				FK-PRV3-V0800FAD	70
10"/DN250	FK-PRV3-H1000FAD				FK-PRV3-V1000FAD	111
12"/DN300	FK-PRV3-H1200FAD				FK-PRV3-V1200FAD	142
1½"/DN40	Flange X Flange (PN16)				FK-PRV3-H0150FPD	FK-PRV3-V0150FPD
2"/DN50				FK-PRV3-H0200FPD	FK-PRV3-V0200FPD	12
2½"/DN65				FK-PRV3-H0250FPD	FK-PRV3-V0250FPD	15.5
3"/DN80				FK-PRV3-H0300FPD	FK-PRV3-V0300FPD	21.5
4"/DN100				FK-PRV3-H0400FPD	FK-PRV3-V0400FPD	28
6"/DN150				FK-PRV3-H0600FPD	FK-PRV3-V0600FPD	52
8"/DN200				FK-PRV3-H0800FPD	FK-PRV3-V0800FPD	70
10"/DN250				FK-PRV3-H1000FPD	FK-PRV3-V1000FPD	111
12"/DN300				FK-PRV3-H1200FPD	FK-PRV3-V1200FPD	142

** Weight available on request

Installation

1. The Fireking FK-PRV3 is supplied factory assembled and tested. The pilot valve set pressure is field adjustable. The needle valve is factory pre-set and is not field adjustable. Changes to the trim arrangement may influence the performance of the valve and the product approval.
2. The FK-PRV3 is for installation in WET systems only and must be installed in a location above 4 °C.
3. The FK-PRV3 can be mounted horizontally or vertically but the correct orientation must be specified at the time of ordering. It is possible to convert the orientation on-site – contact us for further details.
4. Verify that the flow direction matches the flow arrow on the valve body and
5. Ensure adequate pipework support either side of the valve so that the pipework weight is not loaded onto the valve.

Note: This document contains basic product information only. For more information, contact your local VIKING Sales Representative. Certificates, test reports and approvals may be published in the OEM name. The contents of this publication are subject to change without prior notice. All rights reserved. Images are purely for illustration only. Fireking™ is a trademark of The Viking Corporation.

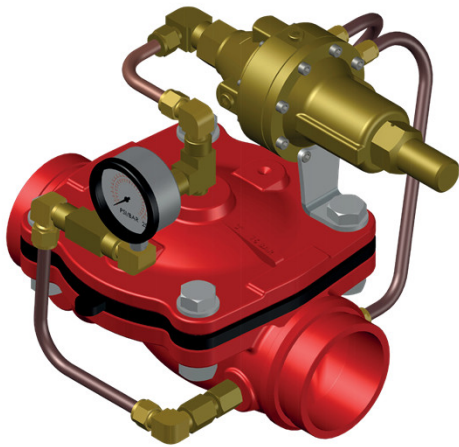
Trusted above all.

The Viking Corporation (far East) Pte. Ltd. | 69 Tuas View Square, Westlink Techpark, Singapore 637621 | vikingapac@vikingcorp.com





Pressure Control | Pressure Relief | Flange, Groove, Thread | FK-RV



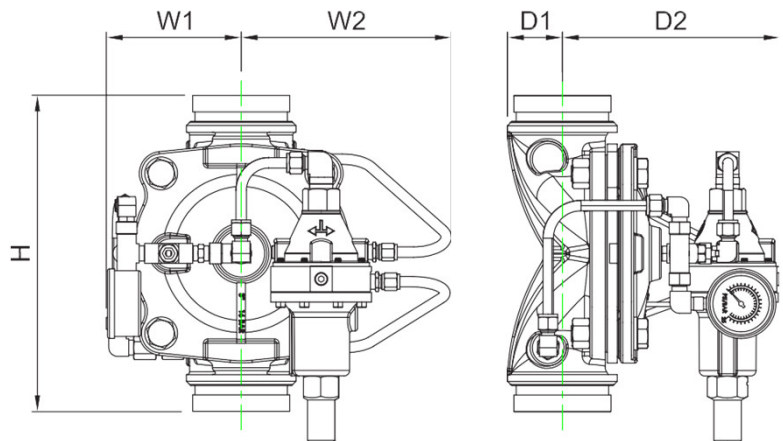
SPECIFICATIONS	
Application	Designed for use in fire protection systems where the relief of excess pressure in a pipe is required.
Sizes	2"/DN50, 2½"/DN65, 3"/DN80, 4"/DN100, 6"/DN150, 8"/DN200, 10"/DN250, 12"/DN300
Rated Working Pressure	UL: 17.2 bar / 250 psi FM: 20.7 bar / 300 psi
Outlet Set Pressure / Relief Pressure Range	UL: 5.5-13.8 bar / 80-200psi (2" to 3", 8" to 12") 2.4-13.8 bar / 35-200psi (4" & 6") FM: 1.4 – 19.3 bar / 20-280psi
Finish	External: Epoxy base & polyurethane Topcoat Internal: Enamel glazing
Connections	Threaded: BSP or NPT (DN40 & DN50) Flange: ANSI #150 or PN16 EN1092-2 Groove: AWWA C606
Approvals	UL, FM

Product Dimensions

Size		2"/DN50	2½"/DN65	3"/DN80	4"/DN100	6"/DN150	8"/DN200	10"/DN250	12"/DN300
Dimension (mm)	H	190	215	283	303	406	469	634	750
	D1	112	305	296	320	387	478	522	231
	D2	166	147	182	202	212	238	269	238
	W1	211	217	144	151	202	228	279	329
	W2	190	215	283	303	406	469	634	750

Materials list

Description	Material
Valve body	Ductile iron, ASTM A536
Valve diaphragm	Nitrile
Pilot valve (17.2 bar / 250 psi) and bracket	Brass, nickel plated (valve) AISI 316 (bracket)
Trim tubing	Copper, Type L
Trim fittings	Brass
Pressure gauge, 90 mm diameter, 1/4" NPT	Stainless steel casing, brass fitting Inlet: 0-25 bar / 0-363 psi Outlet: 0-16 bar / 0-232 psi
Needle valve	Brass, nickel plated



Note: This document contains basic product information only. For more information, contact your local VIKING Sales Representative. Certificates, test reports and approvals may be published in the OEM name. The contents of this publication are subject to change without prior notice. All rights reserved. Images are purely for illustration only. Fireking™ is a trademark of The Viking Corporation.

Trusted above all.

The Viking Corporation (far East) Pte. Ltd. | 69 Tuas View Square, Westlink Techpark, Singapore 637621 | vikingapac@vikingcorp.com





Pressure Control | Pressure Reducing | Flange & Groove | FK-RV

Part Numbers & Weights

Size	Connection1	Material ²	Finish ³	Part Number		Weight (kg)
				Horizontal	Vertical	
2"/DN50(60.3)	Groove X Groove	Ductile Iron	Fusion Bonded Epoxy / Polyester	FK-RV-H060GD	FK-RV-V060GD	10.2
2½"/DN65(73.0)				FK-RV-H073GD	FK-RV-V073GD	16.5
2½"/DN65(76.1)				FK-RV-H076GD	FK-RV-V076GD	16.5
3"/DN80(88.9)				FK-RV-H089GD	FK-RV-V089GD	17.0
4"/DN100(114.3)				FK-RV-H114GD	FK-RV-V114GD	22.0
6"/DN150(165.1)				FK-RV-H165GD	FK-RV-V165GD	38.0
6"/DN150(168.3)				FK-RV-H168GD	FK-RV-V168GD	38.0
8"/DN200(219.1)				FK-RV-H219GD	FK-RV-V219GD	54.0
2"/DN50				Flange X Flange (ANSI)	FK-RV-H0200FAD	FK-RV-V0200FAD
2½"/DN65	FK-RV-H0250FAD				FK-RV-V0250FAD	17.0
3"/DN80	FK-RV-H0300FAD				FK-RV-V0300FAD	23.0
4"/DN100	FK-RV-H0400FAD				FK-RV-V0400FAD	29.0
6"/DN150	FK-RV-H0600FAD				FK-RV-V0600FAD	53.5
8"/DN200	FK-RV-H0800FAD				FK-RV-V0800FAD	71.5
10"/DN250	FK-RV-H1000FAD				FK-RV-V1000FAD	112.5
12"/DN300	FK-RV-H1200FAD				FK-RV-V1200FAD	143.5
2"/DN50	Flange X Flange (PN16)				FK-RV-H0200FPD	FK-RV-V0200FPD
2½"/DN65				FK-RV-H0250FPD	FK-RV-V0250FPD	17.0
3"/DN80		FK-RV-H0300FPD	FK-RV-V0300FPD	23.0		
4"/DN100		FK-RV-H0400FPD	FK-RV-V0400FPD	29.0		
6"/DN150		FK-RV-H0600FPD	FK-RV-V0600FPD	53.5		
8"/DN200		FK-RV-H0800FPD	FK-RV-V0800FPD	71.5		
10"/DN250		FK-RV-H1000FPD	FK-RV-V1000FPD	112.5		
12"/DN300		FK-RV-H1200FPD	FK-RV-V1200FPD	143.5		

Installation

1. The Fireking FK-RV is supplied factory assembled and tested. The pilot valve set pressure is field adjustable. Changes to the trim arrangement may influence the performance of the valve and the product approval.
2. The FK-RV can be installed on wet piping and must be installed in a location above 4°C.
3. The FK-RV can be mounted horizontally or vertically but the correct orientation must be specified at the time of ordering. It is possible to convert the orientation on-site – contact us for further details.
4. Verify that the flow direction matches the flow arrow on the valve body.
5. The FK-RV is not an inline valve and should be connected without downstream pressure, i.e. outlet should be connected to atmosphere.
6. Ensure adequate pipework support either side of the valve so that the pipework weight is not loaded onto the valve.

Note: This document contains basic product information only. For more information, contact your local VIKING Sales Representative. Certificates, test reports and approvals may be published in the OEM name. The contents of this publication are subject to change without prior notice. All rights reserved. Images are purely for illustration only. Fireking™ is a trademark of The Viking Corporation.

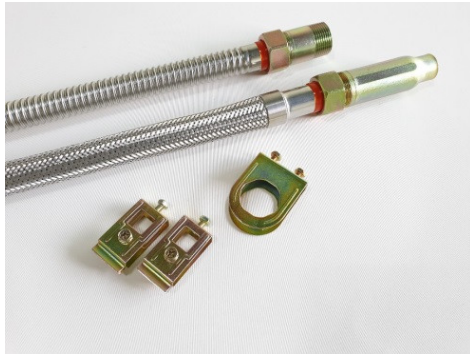
Trusted above all.

The Viking Corporation (far East) Pte. Ltd. | 69 Tuas View Square, Westlink Techpark, Singapore 637621 | vikingapac@vikingcorp.com





Flexible Sprinkler Hoses | Braided & Unbraided | VK25B & VK25N



SPECIFICATIONS	
Application	Commercial Suspended Ceilings
Hose Diameter	24.2mm ID, 24.8mm OD
Hose Material	Stainless Steel 304
Max. Ambient Temperature	107°C / 225°F
Max. Working Pressure	UL 200psi / 13.8bar FM 175psi / 12.8bar
Inlet Nipple	1"
Outlet Reducer	½", ¾"
Approvals	FM, UL



Product Data & Part Numbers | Unbraided | VK25N | UL

Part Number	Hose Assembly Length		Outlet Size	K factor (imperial/metric)	Max. Number of 90° Bends	Minimum Bend Radius (mm/in)	Equivalent Length of 1" Schedule 40 Steel Pipe (c=120),	
	mm	in					m	ft
VK25N-T700 (½)	700	27 ⁹ / ₁₆	½"	5.6/80.6	2	102/4	10.06	33
VK25N-T1000 (½)	1000	39 ³ / ₈	½"	5.6/80.6	3	102/4	17.37	57
VK25N-T1200 (½)	1200	47 ¹ / ₄	½"	5.6/80.6	3	102/4	20.73	68
VK25N-T1500 (½)	1500	59 ¹ / ₁₆	½"	5.6/80.6	3	102/4	24.99	82
VK25N-T1800 (½)	1800	70 ⁷ / ₈	½"	5.6/80.6	3	102/4	29.87	98
VK25N-T700 (¾)	700	27 ⁹ / ₁₆	¾"	8.0/115.2	2	102/4	11.58	38
VK25N-T1000 (¾)	1000	39 ³ / ₈	¾"	8.0/115.2	3	102/4	18.90	62
VK25N-T1200 (¾)	1200	47 ¹ / ₄	¾"	8.0/115.2	3	102/4	22.25	73
VK25N-T1500 (¾)	1500	59 ¹ / ₁₆	¾"	8.0/115.2	3	102/4	27.13	89
VK25N-T1800 (¾)	1800	70 ⁷ / ₈	¾"	8.0/115.2	3	102/4	31.70	104

Product Data & Part Numbers | Braided | VK25B | UL & FM

Part Number	Hose Assembly Length		Outlet Size	K factor (imperial/metric)		Max. Number of 90° Bends		Minimum Bend Radius (mm/in)		Equivalent Length of 1" Schedule 40 Steel Pipe (c=120), ft (m)	
	mm	in		FM	UL	FM	UL	FM	UL	FM	UL
VK25B-T700 (½)	700	27 ⁹ / ₁₆	½"	5.6/80.6	8.0/115.2	1	2	229/9	102/4	7.92/26	10.06/33.0
VK25B-T1000 (½)	1000	39 ³ / ₈	½"	5.6/80.6	8.0/115.2	2	3	229/9	102/4	14.05/46.1	17.37/57.0
VK25B-T1200 (½)	1200	47 ¹ / ₄	½"	5.6/80.6	8.0/115.2	3	3	229/9	102/4	18.17/59.6	20.73/68.0
VK25B-T1500 (½)	1500	59 ¹ / ₁₆	½"	5.6/80.6	8.0/115.2	3	3	229/9	102/4	24.29/79.7	24.99/82.0
VK25B-T1800 (½)	1800	70 ⁷ / ₈	½"	5.6/80.6	8.0/115.2	4	3	229/9	102/4	30.48/100.0	29.87/98.0
VK25B-T700 (¾)	700	27 ⁹ / ₁₆	¾"	8.0/115.2	11.2/161.3	1	2	229/9	102/4	7.22/23.7	11.58/38.0
VK25B-T1000 (¾)	1000	39 ³ / ₈	¾"	8.0/115.2	11.2/161.3	2	3	229/9	102/4	13.53/44.4	18.90/62.0
VK25B-T1200 (¾)	1200	47 ¹ / ₄	¾"	8.0/115.2	11.2/161.3	3	3	229/9	102/4	17.77/58.3	22.25/73.0
VK25B-T1500 (¾)	1500	59 ¹ / ₁₆	¾"	8.0/115.2	11.2/161.3	3	3	229/9	102/4	24.08/79.0	27.13/89.0
VK25B-T1800 (¾)	1800	70 ⁷ / ₈	¾"	8.0/115.2	11.2/161.3	4	3	229/9	102/4	30.45/99.9	31.70/104.0

Note: This document contains basic product information only. For more information, contact your local VIKING Sales Representative. Certificates, test reports and approvals may be published in the OEM name. The contents of this publication are subject to change without prior notice. All rights reserved. Images are purely for illustration only. Fireking™ is a trademark of The Viking Corporation.

Trusted above all.

The Viking Corporation (far East) Pte. Ltd. | 69 Tuas View Square, Westlink Techpark, Singapore 637621 | vikingapac@vikingcorp.com





Flexible Sprinkler Hoses | Braided & Unbraided | VK27B & VK27N



SPECIFICATIONS	
Application	Commercial Suspended Ceilings
Hose Diameter	26.2mm ID, 26.8mm OD
Hose Material	Stainless Steel 304
Max. Ambient Temperature	107°C / 225°F
Max. Working Pressure	UL 200psi / 13.8bar FM 175psi / 12.8bar
Inlet Nipple	1"
Outlet Reducer	½", ¾"
Approvals	FM, UL



Product Data & Part Numbers | Unbraided | VK27N | UL

Part Number	Hose Assembly Length		Outlet Size	K factor (imperial/metric)	Max. Number of 90° Bends	Minimum Bend Radius (mm/inches)	Equivalent Length of 1" Schedule 40 Steel Pipe (c=120)	
	mm	in					m	ft
VK27N-T0700 (½)	700	27 ⁹ / ₁₆	½"	5.6/80.6	2	102/4	7.92	26
VK27N-T1000 (½)	1000	39 ³ / ₈	½"	5.6/80.6	3	102/4	13.72	45
VK27N-T1200 (½)	1200	47 ¹ / ₄	½"	5.6/80.6	3	102/4	15.54	51
VK27N-T1500 (½)	1500	59 ¹ / ₁₆	½"	5.6/80.6	3	102/4	20.12	66
VK27N-T1800 (½)	1800	70 ⁷ / ₈	½"	5.6/80.6	3	102/4	21.03	69
VK27N-T700 (¾)	700	27 ⁹ / ₁₆	¾"	8.0/115.2	2	102/4	9.45	31
VK27N-T1000 (¾)	1000	39 ³ / ₈	¾"	8.0/115.2	3	102/4	15.24	50
VK27N-T1200 (¾)	1200	47 ¹ / ₄	¾"	8.0/115.2	3	102/4	16.76	55
VK27N-T1500 (¾)	1500	59 ¹ / ₁₆	¾"	8.0/115.2	3	102/4	21.34	70
VK27N-T1800 (¾)	1800	70 ⁷ / ₈	¾"	8.0/115.2	3	102/4	22.56	74

Product Data & Part Numbers | Braided | VK27B | UL & FM

Part Number	Hose Assembly Length		Outlet Size	K factor (imperial/metric)		Max. Number of 90° Bends		Minimum Bend Radius (mm/inches)		Equivalent Length of 1" Schedule 40 Steel Pipe (c=120), ft (m)	
	mm	in		FM	UL	FM	UL	FM	UL	FM	UL
VK27B-T0700 (½)	700	27 ⁹ / ₁₆	½"	5.6/80.6	8.0/115.2	1	2	229/9	102/4	8.66/28.4	7.92/26.0
VK27B-T1000 (½)	1000	39 ³ / ₈	½"	5.6/80.6	8.0/115.2	2	3	229/9	102/4	13.96/45.8	13.72/45.0
VK27B-T1200 (½)	1200	47 ¹ / ₄	½"	5.6/80.6	8.0/115.2	2	3	229/9	102/4	17.50/57.4	15.54/51.0
VK27B-T1500 (½)	1500	59 ¹ / ₁₆	½"	5.6/80.6	8.0/115.2	3	3	229/9	102/4	21.21/69.6	20.12/66.0
VK27B-T1800 (½)	1800	70 ⁷ / ₈	½"	5.6/80.6	8.0/115.2	4	3	229/9	102/4	24.93/81.8	21.03/69.0
VK27B-T700 (¾)	700	27 ⁹ / ₁₆	¾"	8.0/115.2	11.2/161.3	1	2	229/9	102/4	8.41/27.6	9.45/31.0
VK27B-T1000 (¾)	1000	39 ³ / ₈	¾"	8.0/115.2	11.2/161.3	2	3	229/9	102/4	12.44/40.8	15.24/50.0
VK27B-T1200 (¾)	1200	47 ¹ / ₄	¾"	8.0/115.2	11.2/161.3	2	3	229/9	102/4	15.12/49.6	16.76/55.0
VK27B-T1500 (¾)	1500	59 ¹ / ₁₆	¾"	8.0/115.2	11.2/161.3	3	3	229/9	102/4	19.11/62.7	21.34/70.0
VK27B-T1800 (¾)	1800	70 ⁷ / ₈	¾"	8.0/115.2	11.2/161.3	4	3	229/9	102/4	23.10/75.8	22.56/74.0

Note: This document contains basic product information only. For more information, contact your local VIKING Sales Representative. Certificates, test reports and approvals may be published in the OEM name. The contents of this publication are subject to change without prior notice. All rights reserved. Images are purely for illustration only. Fireking™ is a trademark of The Viking Corporation.

Trusted above all.

The Viking Corporation (far East) Pte. Ltd. | 69 Tuas View Square, Westlink Techpark, Singapore 637621 | vikingapac@vikingcorp.com





Flexible Sprinkler Hoses | Braided & Unbraided | VK29B & VK29N



SPECIFICATIONS	
Application	Commercial Suspended Ceilings
Hose Diameter	28.2mm ID, 28.8mm OD
Hose Material	Stainless Steel 304
Max. Ambient Temperature	107°C / 225°F
Max. Working Pressure	UL 200psi / 13.8bar FM 175psi / 12.8bar
Inlet Nipple	1"
Outlet Reducer	½", ¾"
Approvals	FM, UL



Product Data & Part Numbers | Unbraided | VK29N | UL

Part Number	Hose Assembly Length		Outlet Size	K factor (imperial/metric)	Max. Number of 90° Bends	Minimum Bend Radius		Equivalent Length of 1" Schedule 40 Steel Pipe (c=120)	
	mm	in				mm	in	m	ft
VK29N-T700 (½)	700	27 ⁹ / ₁₆	½"	5.6/80.6	2	102	4	3.05	10
VK29N-T1000 (½)	1000	39 ³ / ₈	½"	5.6/80.6	3	102	4	7.01	23
VK29N-T1200 (½)	1200	47 ¹ / ₄	½"	5.6/80.6	3	102	4	8.84	29
VK29N-T1500 (½)	1500	59 ¹ / ₁₆	½"	5.6/80.6	3	102	4	10.97	36
VK29N-T1800 (½)	1800	70 ⁷ / ₈	½"	5.6/80.6	3	102	4	12.19	40
VK29N-T700 (¾)	700	27 ⁹ / ₁₆	¾"	8.0/115.2	2	102	4	4.88	16
VK29N-T1000 (¾)	1000	39 ³ / ₈	¾"	8.0/115.2	3	102	4	8.53	28
VK29N-T1200 (¾)	1200	47 ¹ / ₄	¾"	8.0/115.2	3	102	4	10.36	34
VK29N-T1500 (¾)	1500	59 ¹ / ₁₆	¾"	8.0/115.2	3	102	4	12.19	40
VK29N-T1800 (¾)	1800	70 ⁷ / ₈	¾"	8.0/115.2	3	102	4	13.72	45

Product Data & Part Numbers | Braided | VK29B | UL & FM

Part Number	Hose Assembly Length		Outlet Size	K factor (imperial/metric)		Max. Number of 90° Bends		Minimum Bend Radius (mm/in)		Equivalent Length of 1" Schedule 40 Steel Pipe (c=120)	
	mm	in		FM	UL	FM	UL	FM	UL	FM (m/ft)	UL (m/ft)
VK29B-T1000 (½)	1000	39 ³ / ₈	½"	5.6/80.6	8.0/115.2	2	3	229/9	102/4	10.21/33.5	7.01/23.0
VK29B-T1200 (½)	1200	47 ¹ / ₄	½"	5.6/80.6	8.0/115.2	2	3	229/9	102/4	12.34/40.5	8.84/29.0
VK29B-T1500 (½)	1500	59 ¹ / ₁₆	½"	5.6/80.6	8.0/115.2	3	3	229/9	102/4	13.69/44.9	10.97/36.0
VK29B-T1800 (½)	1800	70 ⁷ / ₈	½"	5.6/80.6	8.0/115.2	4	3	229/9	102/4	49.3 (15.03)	12.19/40.0
VK29B-T700 (¾)	700	27 ⁹ / ₁₆	¾"	8.0/115.2	11.2/161.3	1	2	229/9	102/4	4.91/16.1	4.88/16.0
VK29B-T1000 (¾)	1000	39 ³ / ₈	¾"	8.0/115.2	11.2/161.3	2	3	229/9	102/4	8.35/27.4	8.53/28.0
VK29B-T1200 (¾)	1200	47 ¹ / ₄	¾"	8.0/115.2	11.2/161.3	2	3	229/9	102/4	10.67/35.0	10.36/34.0
VK29B-T1500 (¾)	1500	59 ¹ / ₁₆	¾"	8.0/115.2	11.2/161.3	3	3	229/9	102/4	11.98/39.3	12.19/40.0
VK29B-T1800 (¾)	1800	70 ⁷ / ₈	¾"	8.0/115.2	11.2/161.3	4	3	229/9	102/4	13.32/43.7	13.72/45.0

Note: This document contains basic product information only. For more information, contact your local VIKING Sales Representative. Certificates, test reports and approvals may be published in the OEM name. The contents of this publication are subject to change without prior notice. All rights reserved. Images are purely for illustration only. Fireking™ is a trademark of The Viking Corporation.

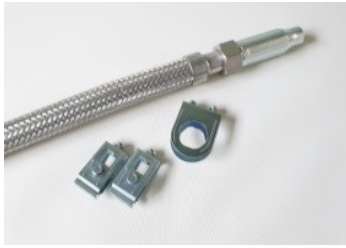
Trusted above all.

The Viking Corporation (far East) Pte. Ltd. | 69 Tuas View Square, Westlink Techpark, Singapore 637621 | vikingapac@vikingcorp.com





Flexible Sprinkler Hoses | Braided | VK32B



Model VK32B-T



Model VK32B-Txxx-BU



SPECIFICATIONS

Application	Commercial Suspended Ceilings
Hose Diameter	31.2mm ID, 31.8mm OD
Hose Material	Stainless Steel 304
Max. Ambient Temperature	107°C / 225°F
Max. Working Pressure	FM 175psi / 12.8bar
Inlet Nipple	1"
Outlet Reducer	½", ¾"
Approvals	FM, UL

Product Data & Part Numbers | Threaded Fitting | VK32B-Txxx

Part Number	Hose Assembly Length		Outlet Size	K factor		Max. Number of 90° Bends	Minimum Bend Radius		Equivalent Length of 1" Schedule 40 Steel Pipe (c=120),	
	mm	in		imperial	metric		mm	in	m	ft
VK32B-T800 (½)	800	31 ¹ / ₂	½"	5.6	80.6	1	300	11.8	5.70	18.7
VK32B-T1000 (½)	1000	39 ³ / ₈	½"	5.6	80.6	2	300	11.8	7.07	23.2
VK32B-T1200 (½)	1200	47 ¹ / ₄	½"	5.6	80.6	2	300	11.8	7.89	25.9
VK32B-T1500 (½)	1500	59 ¹ / ₁₆	½"	5.6	80.6	3	300	11.8	9.72	31.9
VK32B-T1800 (½)	1800	70 ⁷ / ₈	½"	5.6	80.6	4	300	11.8	10.70	35.1
VK32B-T800 (¾)	800	31 ¹ / ₂	¾"	8.0	115.2	1	300	11.8	3.29	10.8
VK32B-T1000 (¾)	1000	39 ³ / ₈	¾"	8.0	115.2	2	300	11.8	4.51	14.8
VK32B-T1200 (¾)	1200	47 ¹ / ₄	¾"	8.0	115.2	2	300	11.8	5.70	18.7
VK32B-T1500 (¾)	1500	59 ¹ / ₁₆	¾"	8.0	115.2	3	300	11.8	6.98	22.9
VK32B-T1800 (¾)	1800	70 ⁷ / ₈	¾"	8.0	115.2	4	300	11.8	7.99	26.2

Product Data & Part Numbers | Threaded / Bushing Unit | VK32B-Txxx-BU

Part Number	Hose Assembly Length		Outlet Size	K factor		Max. Number of 90° Bends	Minimum Bend Radius		Equivalent Length of 1" Schedule 40 Steel Pipe (c=120),	
	mm	in		imperial	metric		mm	in	m	ft
VK32B-T800-BU (½)	800	31 ¹ / ₂	½"	5.6	80.6	1	300	11.8	5.70	18.7
VK32B-T1000-BU (½)	1000	39 ³ / ₈	½"	5.6	80.6	2	300	11.8	7.07	23.2
VK32B-T1200-BU (½)	1200	47 ¹ / ₄	½"	5.6	80.6	2	300	11.8	7.89	25.9
VK32B-T1500-BU (½)	1500	59 ¹ / ₁₆	½"	5.6	80.6	3	300	11.8	9.72	31.9
VK32B-T1800-BU (½)	1800	70 ⁷ / ₈	½"	5.6	80.6	4	300	11.8	10.70	35.1
VK32B-T800-BU (¾)	800	31 ¹ / ₂	¾"	8.0	115.2	1	300	11.8	3.29	10.8
VK32B-T1000-BU (¾)	1000	39 ³ / ₈	¾"	8.0	115.2	2	300	11.8	4.51	14.8
VK32B-T1200-BU (¾)	1200	47 ¹ / ₄	¾"	8.0	115.2	2	300	11.8	5.70	18.7
VK32B-T1500-BU (¾)	1500	59 ¹ / ₁₆	¾"	8.0	115.2	3	300	11.8	6.98	22.9
VK32B-T1800-BU (¾)	1800	70 ⁷ / ₈	¾"	8.0	115.2	4	300	11.8	7.99	26.2

Note: This document contains basic product information only. For more information, contact your local VIKING Sales Representative. Certificates, test reports and approvals may be published in the OEM name. The contents of this publication are subject to change without prior notice. All rights reserved. Images are purely for illustration only. Fireking™ is a trademark of The Viking Corporation.

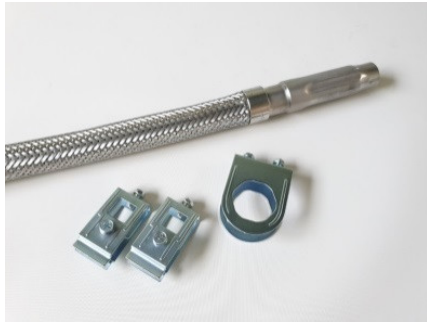
Trusted above all.

The Viking Corporation (far East) Pte. Ltd. | 69 Tuas View Square, Westlink Techpark, Singapore 637621 | vikingapac@vikingcorp.com





Flexible Sprinkler Hoses | Braided | VK32B



Model VK32B-W



Model VK32B-Wxxx-BU



Product Data & Part Numbers | Welded Connection | VK32B-Wxxx

Part Number	Hose Assembly Length		Outlet Size	K factor		Max. Number of 90° Bends	Minimum Bend Radius		Equivalent Length of 1" Schedule 40 Steel Pipe (c=120),	
	mm	in		imperial	metric		mm	in	m	ft
VK32B-W800 (½)	800	31½	½"	5.6	80.6	1	203	8	5.70	18.7
VK32B-W1000 (½)	1000	39¾	½"	5.6	80.6	2	203	8	7.07	23.2
VK32B-W1200 (½)	1200	47¼	½"	5.6	80.6	2	203	8	7.89	25.9
VK32B-W1500 (½)	1500	59⅛	½"	5.6	80.6	3	203	8	9.72	31.9
VK32B-W1800 (½)	1800	70⅞	½"	5.6	80.6	4	203	8	10.70	35.1
VK32B-W800 (¾)	800	31½	¾"	8.0	115.2	1	203	8	3.29	10.8
VK32B-W1000 (¾)	1000	39¾	¾"	8.0	115.2	2	203	8	4.51	14.8
VK32B-W1200 (¾)	1200	47¼	¾"	8.0	115.2	2	203	8	5.70	18.7
VK32B-W1500 (¾)	1500	59⅛	¾"	8.0	115.2	3	203	8	6.98	22.9
VK32B-W1800 (¾)	1800	70⅞	¾"	8.0	115.2	4	203	8	7.99	26.2

Product Data & Part Numbers | Welded Bushing Unit (Ring Nut) | VK32B-Wxxx-BU

Part Number	Hose Assembly Length		Outlet Size	K factor		Max. Number of 90° Bends	Minimum Bend Radius		Equivalent Length of 1" Schedule 40 Steel Pipe (c=120),	
	mm	in		imperial	metric		mm	in	m	ft
VK32B-W800-BU (½)	800	31½	½"	5.6	80.6	1	203	8	5.70	18.7
VK32B-W1000-BU (½)	1000	39¾	½"	5.6	80.6	2	203	8	7.07	23.2
VK32B-W1200-BU (½)	1200	47¼	½"	5.6	80.6	2	203	8	7.89	25.9
VK32B-W1500-BU (½)	1500	59⅛	½"	5.6	80.6	3	203	8	9.72	31.9
VK32B-W1800-BU (½)	1800	70⅞	½"	5.6	80.6	4	203	8	10.70	35.1
VK32B-W800-BU (¾)	800	31½	¾"	8.0	115.2	1	203	8	3.29	10.8
VK32B-W1000-BU (¾)	1000	39¾	¾"	8.0	115.2	2	203	8	4.51	14.8
VK32B-W1200-BU (¾)	1200	47¼	¾"	8.0	115.2	2	203	8	5.70	18.7
VK32B-W1500-BU (¾)	1500	59⅛	¾"	8.0	115.2	3	203	8	6.98	22.9
VK32B-W1800-BU (¾)	1800	70⅞	¾"	8.0	115.2	4	203	8	7.99	26.2

Note: This document contains basic product information only. For more information, contact your local VIKING Sales Representative. Certificates, test reports and approvals may be published in the OEM name. The contents of this publication are subject to change without prior notice. All rights reserved. Images are purely for illustration only. Fireking™ is a trademark of The Viking Corporation.

Trusted above all.

The Viking Corporation (far East) Pte. Ltd. | 69 Tuas View Square, Westlink Techpark, Singapore 637621 | vikingapac@vikingcorp.com





Flexible Sprinkler Hoses | Braided | VK32B



Model VK32B-Wxxx-AU1/AU2



Product Data & Part Numbers | Welded Aluminium Unit (Thin Panel) | VK32B-Wxxx-AU1

Part Number	Hose Assembly Length		Outlet Size	K factor		Max. Number of 90° Bends	Minimum Bend Radius		Equivalent Length of 1" Schedule 40 Steel Pipe (c=120),	
	mm	in		imperial	metric		mm	in	m	ft
VK32B-W700-AU1 (½)	700	27 ⁹ / ₁₆	½"	5.6	80.6	1	300	11.8	5.76	18.9
VK32B-W1000-AU1 (½)	1000	39 ³ / ₈	½"	5.6	80.6	2	300	11.8	7.10	23.3
VK32B-W1200-AU1 (½)	1200	47 ¹ / ₄	½"	5.6	80.6	2	300	11.8	8.02	26.3
VK32B-W1500-AU1 (½)	1500	59 ¹ / ₁₆	½"	5.6	80.6	3	300	11.8	9.36	30.7
VK32B-W1800-AU1 (½)	1800	70 ⁷ / ₈	½"	5.6	80.6	4	300	11.8	10.21	33.5
VK32B-W700-AU1 (¾)	700	27 ⁹ / ₁₆	¾"	8.0	115.2	1	300	11.8	2.93	9.6
VK32B-W1000-AU1 (¾)	1000	39 ³ / ₈	¾"	8.0	115.2	2	300	11.8	4.24	13.9
VK32B-W1200-AU1 (¾)	1200	47 ¹ / ₄	¾"	8.0	115.2	2	300	11.8	4.94	16.2
VK32B-W1500-AU1 (¾)	1500	59 ¹ / ₁₆	¾"	8.0	115.2	3	300	11.8	6.80	22.3
VK32B-W1800-AU1 (¾)	1800	70 ⁷ / ₈	¾"	8.0	115.2	4	300	11.8	8.26	27.1

Product Data & Part Numbers | Welded Aluminium Unit (Thick Panel) | VK32B-Wxxx-AU2

Part Number	Hose Assembly Length		Outlet Size	K factor		Max. Number of 90° Bends	Minimum Bend Radius		Equivalent Length of 1" Schedule 40 Steel Pipe (c=120),	
	mm	in		imperial	metric		mm	in	m	ft
VK32B-W700-AU2 (½)	700	27 ⁹ / ₁₆	½"	5.6	80.6	1	300	11.8	5.76	18.9
VK32B-W1000-AU2 (½)	1000	39 ³ / ₈	½"	5.6	80.6	2	300	11.8	7.10	23.3
VK32B-W1200-AU2 (½)	1200	47 ¹ / ₄	½"	5.6	80.6	2	300	11.8	8.02	26.3
VK32B-W1500-AU2 (½)	1500	59 ¹ / ₁₆	½"	5.6	80.6	3	300	11.8	9.36	30.7
VK32B-W1800-AU2 (½)	1800	70 ⁷ / ₈	½"	5.6	80.6	4	300	11.8	10.21	33.5
VK32B-W700-AU2 (¾)	700	27 ⁹ / ₁₆	¾"	8.0	115.2	1	300	11.8	2.93	9.6
VK32B-W1000-AU2 (¾)	1000	39 ³ / ₈	¾"	8.0	115.2	2	300	11.8	4.24	13.9
VK32B-W1200-AU2 (¾)	1200	47 ¹ / ₄	¾"	8.0	115.2	2	300	11.8	4.94	16.2
VK32B-W1500-AU2 (¾)	1500	59 ¹ / ₁₆	¾"	8.0	115.2	3	300	11.8	6.80	22.3
VK32B-W1800-AU2 (¾)	1800	70 ⁷ / ₈	¾"	8.0	115.2	4	300	11.8	8.26	27.1

Note: This document contains basic product information only. For more information, contact your local VIKING Sales Representative. Certificates, test reports and approvals may be published in the OEM name. The contents of this publication are subject to change without prior notice. All rights reserved. Images are purely for illustration only. Fireking™ is a trademark of The Viking Corporation.

Trusted above all.

The Viking Corporation (far East) Pte. Ltd. | 69 Tuas View Square, Westlink Techpark, Singapore 637621 | vikingapac@vikingcorp.com





Flexible Sprinkler Hoses | Braided | VK-B & VK-N Installation Instructions

The flexible sprinkler hoses must be installed by appropriately experienced and trained fitters and all instructions must be followed. Please contact your local Viking office for product training. Failure to follow these instructions may lead to incorrect installation and system function.

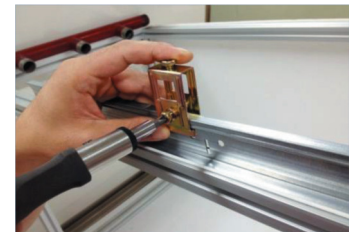
These flexible sprinkler hoses are designed to be installed in wet pipe sprinkler systems only and in accordance with recognized sprinkler installation and design regulations such as NFPA 13 and EN12845. The hoses shall be installed indoors only.

The flexible sprinkler hose is designed to provide easy positioning and installation of sprinklers from branch line to the sprinkler within a single compartment and shall not pass from one compartment to another, or through fire separation materials.

Viking does not recommend the use of chemical additives to be used with the flexible sprinkler hose. The sprinkler system designer has a responsibility to verify the suitability for use if chemical additives are used or if the flex hose is exposed to excessive levels of UV, i.e. over natural light limits. The flexible hoses do not carry water authority approvals and should not be directly connected to potable water systems.

Flexible hoses should be inspected regularly in accordance with the requirements of the regulations in place at the installation location.

1. Refer to the relative regulations, codes or standards for guidance and determination of the desirable location for the unit in use commercial ceiling, clean rooms and duct systems, etc.
2. Install the 1" flexible hose nipple (inlet) to the 1" sprinkler branch pipe by normal sealing and tightening procedures. Slip nut, which connects nipple with flexible hose, should be tightened with wrench as excessive force can damage the O-ring inside. (Torque: 123 kgf-cm).
3. Beware of sharp edges and tools, inspect the hose during and after installation for signs of damage to the surface of the flexible hose.
4. Assemble the supplied bracket and square bar, attach the square bar to the T-bar (ceiling support) with supplied bracket and bolts considering the horizontal location of the sprinkler head. At this stage of installation, bolts need to be fastened loosely. (Torque: 27~28 kgf-cm). Select appropriate square bar length in accordance with the spacing between ceiling supports (both main bars and cross bars) is 600mm~1200mm. The "T" shaped beam is assembled with bracket S1 or S2.
5. Bend the flexible hose so that the reducer (outlet) can be reached to the intended sprinkler head position. The flexible hose should be bent axially with smooth bending shape and within minimum installation bending radius according to UL FM (where applicable). Flexible hose should not be twisted in a circumferential direction and the bend must not exceed a 90° angle.
6. For longer flexible hoses, intermediate hose support is recommended to secure the movement of the hoses.
7. Verify that the reducer (outlet) is located in the correct intended position before securing the bracket L2 or L2-2 bolt. Check and adjust the reducer position by moving vertically and horizontally along the square bar. Tighten all the bolts securely and evenly. (Torque: 57~58 kgf-cm).
8. Install the sprinkler head to the reducer (outlet), if necessary adjust the height and location of the reducer by loosening and tightening the bolt.



Note: This document contains basic product information only. For more information, contact your local VIKING Sales Representative. Certificates, test reports and approvals may be published in the OEM name. The contents of this publication are subject to change without prior notice. All rights reserved. Images are purely for illustration only. Fireking™ is a trademark of The Viking Corporation.

Trusted above all.

The Viking Corporation (far East) Pte. Ltd. | 69 Tuas View Square, Westlink Techpark, Singapore 637621 | vikingapac@vikingcorp.com





Flexible Sprinkler Hoses | Braided | S-Flex VK27SB

Fireking S-Flex flexible sprinkler hoses are complete assemblies of braided stainless steel hoses allowing the fast and easy installation of sprinklers into commercial false ceilings. The hoses are available with FM approval and in a variety of lengths.



Features & Benefits

- Fast installation sprinklers
- Easy to use fittings
- Tighter bend radius than standard flexible hoses (178 mm vs 230 mm)
- Variety of lengths to suit all situations
- Standard 1,000 mm support bar fits most ceiling grids (longer available on demand)
- Increased number of bends vs standard flexible hoses; up to 4 bends allowed
- Low equivalent length values

Product Data & Part Numbers | FM

Part Number*	Length (mm/")	Outlet Size	Minimum Bend Radius (mm/")	Maximum Number of 90° Bends	Equivalent Length of 1"/DN25 Schedule 40 Steel pipe (C=120) (m/ft)					
					K-Factor 5.6/80	K-Factor 8.0/115	K-Factor 11.2/161	K-Factor 14.0/202	K-Factor 16.8/242	K-Factor 25.2/363
S-Flex VK27SB-T700(½B)	700/28	½" / DN15	178/7	2	8.6/28.4	8.5/27.9				
S-Flex VK27SB-T1000(½B)	1000/40			3	13.9/45.8	12.9/42.5				
S-Flex VK27SB-T1200(½B)	1200/48			3	17.5/57.4	15.9/52.5				
S-Flex VK27SB-T1500(½B)	1500/60			4	21.2/69.6	19.8/65.0				
S-Flex VK27SB-T1800(½B)	1800/72			4	24.9/81.8	23.7/77.8				
S-Flex VK27SB-T700(¾B)	700/28	¾" / DN20	178/7	2		8.4/27.6	8.4/27.5	8.3/27.3	8.3/27.2	
S-Flex VK27SB-T1000(¾B)	1000/40			3	12.4/40.8	12.2/39.9	12.0/39.2	11.8/38.6		
S-Flex VK27SB-T1200(¾B)	1200/48			3	15.1/49.6	14.7/48.2	14.4/47.1	14.1/46.1		
S-Flex VK27SB-T1500(¾B)	1500/60			4	19.1/62.7	18.7/61.5	18.4/60.5	18.2/59.6		
S-Flex VK27SB-T1800(¾B)	1800/72			4	23.1/75.8	22.8/74.7	22.5/73.9	22.3/73.1		
S-Flex VK27SB-T700(1B)	700/28	1" / DN25	178/7	2						8.1/26.5
S-Flex VK27SB-T1000(1B)	1000/40			3						10.4/34.0
S-Flex VK27SB-T1200(1B)	1200/48			3						11.9/39.0
S-Flex VK27SB-T1500(1B)	1500/60			4						16.3/53.3
S-Flex VK27SB-T1800(1B)	1800/72			4						20.6/67.6

* Standard Inlet 1" BSPT. For NPT inlet, change suffix to N; e.g. (½B) change to (½N). For 1¼" BSPT, change suffix to K; e.g. (½B) change to (½K).

Note: This document contains basic product information only. For more information, contact your local VIKING Sales Representative. Certificates, test reports and approvals may be published in the OEM name. The contents of this publication are subject to change without prior notice. All rights reserved. Images are purely for illustration only. Fireking™ is a trademark of The Viking Corporation.

Trusted above all.

The Viking Corporation (far East) Pte. Ltd. | 69 Tuas View Square, Westlink Techpark, Singapore 637621 | vikingapac@vikingcorp.com





Flexible Sprinkler Hoses | Braided | S-Flex VK27SB

Product Data & Part Numbers | UL

Part Number*	Length (mm/')	Outlet Size	Minimum Bend Radius (mm/')	Maximum Number of 90° Bends	Equivalent Length of 1"/DN25 Schedule 40 Steel pipe (C=120) (m/ft)	
					m	ft
S-Flex VK27SB-T700(½B)	700/28	½" / DN15	50.8 / 2	3	7.0	23
S-Flex VK27SB-T1000(½B)	1000/40			6	11.0	36
S-Flex VK27SB-T1200(½B)	1200/48			9	19.5	64
S-Flex VK27SB-T1500(½B)	1500/60			11	25.6	84
S-Flex VK27SB-T1800(½B)	1800/72			13	31.7	104
S-Flex VK27SB-T700(¾B)	700/28	¾" / DN20	50.8 / 2	3	7.0	23
S-Flex VK27SB-T1000(¾B)	1000/40			6	14.9	49
S-Flex VK27SB-T1200(¾B)	1200/48			9	18.3	60
S-Flex VK27SB-T1500(¾B)	1500/60			11	26.5	87
S-Flex VK27SB-T1800(¾B)	1800/72			13	33.2	109

* Standard Inlet 1" BSPT. For NPT inlet, change suffix to N; e.g. (½B) change to (½N). For 1¼" BSPT, change suffix to K; e.g. (½B) change to (½K).

SPECIFICATIONS	
Hose Diameter	26.2mm ID / 26.8mm OD
Hose Assembly Lengths (mm)	700, 1000, 1200, 1500, 1800
Hose Type	Braided Annular Corrugated - Threaded or Welded
Hose Material	Stainless Steel 304
Max. Ambient Temperature	107°C / 225°F
Max. Working Pressure	200psi / 13.8bar
Inlet Nipple	1"/DN25 BSPT (1" NPT, 1¼"/DN32 BSPT, Grooved available on request)
Outlet Reducer	½", ¾", 1" (NPT or BSPT)
Approvals	FM, UL

Product Information | Packaging

Each box of S-Flex hoses contains 10 sets, each of which contains the following:

- Flexible hose
- Inlet nipple: DN25 BSP (standard), refer to table below for other sizes
- Outlet Reducer
- Reducer support bracket (clasp type)
- Bar fixing clamp (1 pair)
- Support bar 1,000 mm (1,500 mm option)

Note: This document contains basic product information only. For more information, contact your local VIKING Sales Representative. Certificates, test reports and approvals may be published in the OEM name. The contents of this publication are subject to change without prior notice. All rights reserved. Images are purely for illustration only. Fireking™ is a trademark of The Viking Corporation.

Trusted above all.

The Viking Corporation (far East) Pte. Ltd. | 69 Tuas View Square, Westlink Techpark, Singapore 637621 | vikingapac@vikingcorp.com





Flexible Sprinkler Hoses | Braided | S-Flex VK32SB

Fireking S-Flex flexible sprinkler hoses are complete assemblies of braided stainless steel hoses allowing the fast and easy installation of sprinklers into commercial false ceilings. The hoses are available with FM approval and in a variety of lengths.



Features & Benefits

- Fast installation sprinklers
- Easy to use fittings
- Tighter bend radius than standard flexible hoses (178 mm vs 230 mm)
- Variety of lengths to suit all situations
- Standard 1,000 mm support bar fits most ceiling grids (longer available on demand)
- Increased number of bends vs standard flexible hoses; up to 4 bends allowed
- Low equivalent length values

Product Data & Part Numbers | FM

Part Number*	Length (mm/')	Outlet Size	Minimum Bend Radius (mm/')	Maximum Number of 90° Bends	Equivalent Length of 1"/DN25 Schedule 40 Steel pipe (C=120) (m/ft)						
					K-Factor 5.6/80	K-Factor 8.0/115	K-Factor 11.2/161	K-Factor 14.0/202	K-Factor 16.8/242	K-Factor 25.2/363	
S-Flex VK32SB-T700(½B)	700/28	½" / DN15	178/7	2	2.6/8.5	2.5/8.3					
S-Flex VK32SB-T1000(½B)	1000/40			3	3.8/12.5	3.8/12.3					
S-Flex VK32SB-T1200(½B)	1200/48			3	4.6/15.2	4.6/15.1					
S-Flex VK32SB-T1500(½B)	1500/60			4	5.8/19.2	5.8/19.1					
S-Flex VK32SB-T1800(½B)	1800/72			4	7.0/23.2	7.0/23.2					
S-Flex VK32SB-T700(¾B)	700/28	¾" / DN20	178/7	2		2.5/8.2	2.5/8.1	2.5/8.1	2.4/8.0		
S-Flex VK32SB-T1000(¾B)	1000/40			3	3.7/12.2	3.7/12.2	3.7/12.2	3.7/12.1			
S-Flex VK32SB-T1200(¾B)	1200/48			3	4.6/15.0	4.6/15.0	4.5/14.9	4.5/14.9			
S-Flex VK32SB-T1500(¾B)	1500/60			4	5.8/19.1	5.8/19.1	5.8/19.0	5.8/19.0			
S-Flex VK32SB-T1800(¾B)	1800/72			4	7.0/23.2	7.0/23.2	7.0/23.1	7.0/23.1			
S-Flex VK32SB-T700(1B)	700/28	1" / DN25	178/7	2						2.3/7.7	
S-Flex VK32SB-T1000(1B)	1000/40			3							3.6/11.9
S-Flex VK32SB-T1200(1B)	1200/48			3							4.4/14.7
S-Flex VK32SB-T1500(1B)	1500/60			4							5.7/18.9
S-Flex VK32SB-T1800(1B)	1800/72			4							7.0/23.1

* Standard Inlet 1" BSPT. For NPT inlet, change suffix to N; e.g. (½B) change to (½N). For 1¼" BSPT, change suffix to K; e.g. (½B) change to (½K).

Note: This document contains basic product information only. For more information, contact your local VIKING Sales Representative. Certificates, test reports and approvals may be published in the OEM name. The contents of this publication are subject to change without prior notice. All rights reserved. Images are purely for illustration only. Fireking™ is a trademark of The Viking Corporation.

Trusted above all.

The Viking Corporation (far East) Pte. Ltd. | 69 Tuas View Square, Westlink Techpark, Singapore 637621 | vikingapac@vikingcorp.com





Flexible Sprinkler Hoses | Braided | S-Flex VK32SB

Product Data & Part Numbers | UL

Part Number*	Length (mm/')	Outlet Size	Minimum Bend Radius (mm/')	Maximum Number of 90° Bends	Equivalent Length of 1"/DN25 Schedule 40 Steel pipe (C=120) (m/ft)	
					m	ft
S-Flex VK32SB-T700(½B)	700/28	½" / DN15	50.8 / 2	3	0.3	1.0
S-Flex VK32SB-T1000(½B)	1000/40			6	1.8	6.0
S-Flex VK32SB-T1200(½B)	1200/48			9	3.0	10.0
S-Flex VK32SB-T1500(½B)	1500/60			11	4.6	15.0
S-Flex VK32SB-T1800(½B)	1800/72			13	6.1	20.0
S-Flex VK32SB-T700(¾B)	700/28	¾" / DN20	50.8 / 2	3	2.7	9.0
S-Flex VK32SB-T1000(¾B)	1000/40			6	4.6	15.0
S-Flex VK32SB-T1200(¾B)	1200/48			9	5.8	19.0
S-Flex VK32SB-T1500(¾B)	1500/60			11	7.3	24.0
S-Flex VK32SB-T1800(¾B)	1800/72			13	8.8	29.0

* Standard Inlet 1" BSPT. For NPT inlet, change suffix to N; e.g. (½B) change to (½N). For 1¼" BSPT, change suffix to K; e.g. (½B) change to (½K).

SPECIFICATIONS	
Hose Diameter	31.2mm ID / 31.8mm OD
Hose Assembly Lengths (mm)	700, 1000, 1200, 1500, 1800
Hose Type	Braided Annular Corrugated - Threaded or Welded
Hose Material	Stainless Steel 304
Max. Ambient Temperature	107°C / 225°F
Max. Working Pressure	200psi / 13.8bar
Inlet Nipple	1"/DN25 BSPT (1" NPT, 1¼"/DN32 BSPT, Grooved available on request)
Outlet Reducer	½", ¾", 1" (NPT or BSPT)
Approvals	FM, UL

Product Information | Packaging

Each box of S-Flex hoses contains 10 sets, each of which contains the following:

- Flexible hose
- Inlet nipple: DN25 BSP (standard), refer to table below for other sizes
- Outlet Reducer
- Reducer support bracket (clasp type)
- Bar fixing clamp (1 pair)
- Support bar 1,000 mm (1,500 mm option)

Note: This document contains basic product information only. For more information, contact your local VIKING Sales Representative. Certificates, test reports and approvals may be published in the OEM name. The contents of this publication are subject to change without prior notice. All rights reserved. Images are purely for illustration only. Fireking™ is a trademark of The Viking Corporation.

Trusted above all.

The Viking Corporation (far East) Pte. Ltd. | 69 Tuas View Square, Westlink Techpark, Singapore 637621 | vikingapac@vikingcorp.com





Flexible Sprinkler Hoses | Braided | S-Flex VK40SB

Fireking S-Flex flexible sprinkler hoses are complete assemblies of braided stainless steel hoses allowing the fast and easy installation of sprinklers into commercial false ceilings. The hoses are available with FM approval and in a variety of lengths.



Features & Benefits

- Fast installation sprinklers
- Easy to use fittings
- Tighter bend radius than standard flexible hoses (178 mm vs 230 mm)
- Variety of lengths to suit all situations
- Standard 1,000 mm support bar fits most ceiling grids (longer available on demand)
- Increased number of bends vs standard flexible hoses; up to 4 bends allowed
- Low equivalent length values

Product Data & Part Numbers

Part Number*	Length (mm/ft)	Outlet Size	Minimum Bend Radius (mm/ft)	Maximum Number of 90° Bends	Equivalent Length of 1"/DN25 Schedule 40 Steel pipe (C=120) (m/ft)					
					K-Factor 5.6/80	K-Factor 8.0/115	K-Factor 11.2/161	K-Factor 14.0/202	K-Factor 16.8/242	K-Factor 25.2/363
S-Flex VK40SB-T700(½B)	700/28	½" / DN15	178/7	2	1.0/3.6	1.0/3.3				
S-Flex VK40SB-T1000(½B)	1000/40			3	1.4/4.7	1.3/4.3				
S-Flex VK40SB-T1200(½B)	1200/48			3	1.6/5.5	1.5/5.0				
S-Flex VK40SB-T1500(½B)	1500/60			4	2.0/6.6	1.8/6.1				
S-Flex VK40SB-T1800(½B)	1800/72			4	2.3/7.8	2.2/7.2				
S-Flex VK40SB-T700(¾B)	700/28	¾" / DN20	178/7	2		1.0/3.2	1.0/3.2	0.9/3.1	0.9/3.9	
S-Flex VK40SB-T1000(¾B)	1000/40			3	1.3/4.1	1.2/4.0	1.2/4.0	1.2/3.9		
S-Flex VK40SB-T1200(¾B)	1200/48			3	1.5/4.8	1.4/4.7	1.4/4.6	1.4/4.5		
S-Flex VK40SB-T1500(¾B)	1500/60			4	1.8/5.8	1.7/5.7	1.7/5.5	1.7/5.4		
S-Flex VK40SB-T1800(¾B)	1800/72			4	2.1/6.8	2.0/6.7	2.0/6.5	1.9/6.4		
S-Flex VK40SB-T700(1B)	700/28	1" / DN25	178/7	2						0.8/2.7
S-Flex VK40SB-T1000(1B)	1000/40			3						1.1/3.6
S-Flex VK40SB-T1200(1B)	1200/48			3						1.3/4.4
S-Flex VK40SB-T1500(1B)	1500/60			4						1.5/5.1
S-Flex VK40SB-T1800(1B)	1800/72			4						1.8/6.1

* Standard Inlet 1" BSPT. For NPT inlet, change suffix to N; e.g. (½B) change to (½N). For 1¼" BSPT, change suffix to K; e.g. (½B) change to (½K).

SPECIFICATIONS	
Hose Diameter	31.2mm ID / 31.8mm OD
Hose Assembly Lengths (mm)	700, 1000, 1200, 1500, 1800
Hose Type	Braided Annular Corrugated - Threaded or Welded
Hose Material	Stainless Steel 304
Max. Ambient Temperature	107°C / 225°F
Max. Working Pressure	200psi / 13.8bar
Inlet Nipple	1"/DN25 BSPT (1" NPT, 1¼"/DN32 BSPT, Grooved available on request)
Outlet Reducer	½", ¾", 1" (NPT or BSPT)
Approvals	FM

Product Information | Packaging

Each box of S-Flex hoses contains 10 sets, each of which contains the following:

- Flexible hose
- Inlet nipple: DN25 BSP (standard), refer to table below for other sizes
- Outlet Reducer
- Reducer support bracket (clasp type)
- Bar fixing clamp (1 pair)
- Support bar 1,000 mm (1,500 mm option)

Note: This document contains basic product information only. For more information, contact your local VIKING Sales Representative. Certificates, test reports and approvals may be published in the OEM name. The contents of this publication are subject to change without prior notice. All rights reserved. Images are purely for illustration only. Fireking™ is a trademark of The Viking Corporation.

Trusted above all.

The Viking Corporation (far East) Pte. Ltd. | 69 Tuas View Square, Westlink Techpark, Singapore 637621 | vikingapac@vikingcorp.com





Flexible Sprinkler Hoses | Braided | S-Flex VK-SB | Installation Instructions

The S-Flex flexible sprinkler hoses must be installed by appropriately experienced and trained fitters and all instructions must be followed. Please contact your local Viking office for product training. Failure to follow these instructions may lead to incorrect installation and system function.

These flexible sprinkler hoses are designed to be installed in wet pipe sprinkler systems only and in accordance with recognized sprinkler installation and design regulations such as NFPA 13 and EN12845. The hoses shall be installed indoors only.

The S-Flex flexible sprinkler hose is designed to provide easy positioning and installation of sprinklers from branch line to the sprinkler within a single compartment and shall not pass from one compartment to another, or through fire separation materials.

Viking does not recommend the use of chemical additives when using the S-Flex flexible sprinkler hose. The sprinkler system designer has a responsibility to verify the suitability for use if chemical additives are used or if the flex hose is exposed to excessive levels of UV, i.e. over natural light limits. The S-Flex flexible hoses do not carry water authority approvals and should not be directly connected to potable water systems.

Flexible hoses should be inspected regularly in accordance with the requirements of the regulations in place at the installation location.

1. Refer to the local installation standards.
2. Install the 1" flexible hose inlet nipple to the sprinkler branch pipe. The hose should be detached from the nipple for this.
3. Attach the hose to the inlet nipple by first hand-tightening the slip nut. Do not apply any sealant between the hose and slip nut connection. Further tighten the slip nut with a 1/4 turn using a wrench (approximately 12 Nm). Excessive force can damage the o-ring inside the slip nut.
4. Assemble the side brackets to the ceiling grid and loosely tighten as shown in Figure 1. Slide the centre bracket onto the support bar and attach the side brackets. To allow for final adjustment, the bracket bolts should be hand tight only at this stage.
5. Bend the hose carefully observing the minimum bend radius so that the outlet reducer is in the correct location relative to the sprinkler location (Figure 2).
6. For a longer flexible hoses (1,200 mm and above), intermediate hose support is recommended to secure the movement of the hose.
7. Install the sprinkler head into the outlet reducer. If sprinkler protective caps are removed during installation, it is recommended to replace them after installation. Caps should be removed at the end of the installation project.
8. Verify that the outlet reducer is located in the correct position and then tighten the bracket by closing the clasp mechanism (Figures 3, 4, 5 and 6). Tighten the side bracket wing bolts.



Figure 1



Figure 2



Figure 3



Figure 4



Figure 5



Figure 6

Note: This document contains basic product information only. For more information, contact your local VIKING Sales Representative. Certificates, test reports and approvals may be published in the OEM name. The contents of this publication are subject to change without prior notice. All rights reserved. Images are purely for illustration only. Fireking™ is a trademark of The Viking Corporation.