



## TECHNICAL DATA

## PILOT LINE LOCK-OUT VALVE

The Viking Corporation | 210 N Industrial Park Drive | Hastings MI 49058

Viking Special Hazards | Technical Services: 877-384-5464 | Email: techsvcs@vikingcorp.com | www.vikinggroupinc.com

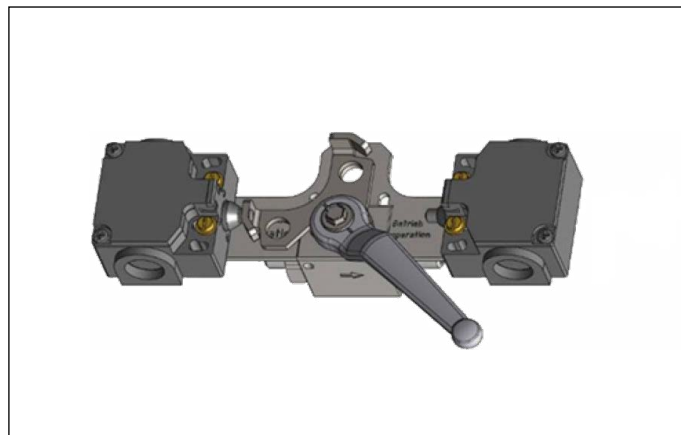
The technical data described herein is for components of the Viking Oxexo PR Fire Extinguishing Systems.

Visit the Viking website for the latest edition of the technical data and system manuals.

### 1. DESCRIPTION

The pilot line lock-out valve prevents the release of the extinguishing agent to the extinguishing area by means of a manually operated lever. When the system can be activated unintentionally or people are unable to leave the extinguishing area within the egress time (i.e. for repair or maintenance work), the pilot line lock-out valve acts as a non-electrical blocking device that prevents the extinguishing agent from being released.

The limit switches attached to the pilot line lock-out valve are lab approved for field wiring. Limit switches are not available for separate purchase. The pilot line lock-out valve hardware comes fully assembled.



### 2. LISTINGS AND APPROVALS



cULus Listed - EX5248 (Oxexo PR CF)



FM Approved: Oxexo PR CF

### 3. TECHNICAL DATA

Designation	Weight	Part no.
Pilot line lock-out device	1.8 lbs (0.8 kg)	878070D



**WARNING:** Cancer and Reproductive Harm-  
www.P65Warnings.ca.gov

#### 3.1 - Specifications and Ratings

Parameter	Value
Operating medium	Argon
	Nitrogen
Working pressure	2030 psi (140 bar)
Nominal diameter	DN6
Connection threads	M12 x 1.5
Temperature range	-22 °F to 176 °F (-30 °C to +80 °C)
Connection	cone for 6 mm steel pipe



## TECHNICAL DATA

## PILOT LINE LOCK-OUT VALVE

The Viking Corporation | 210 N Industrial Park Drive | Hastings MI 49058

Viking Special Hazards | Technical Services: 877-384-5464 | Email: techsvcs@vikingcorp.com | www.vikinggroupinc.com

The technical data described herein is for components of the Viking Oxexo PR Fire Extinguishing Systems.

Visit the Viking website for the latest edition of the technical data and system manuals.

### 3.2 - Specifications and Ratings for Limit Switch (Part no. 930351)

Parameter	Value
Type	PS226-Z11-S200; Actuator type B according to DIN EN 50047 (pressure bolt S200)
Housing	Glass-fiber reinforced thermoplastic, self-extinguishing
Switching System	Snap-action switching with positive break NC contact
Contacts	1 NC contact, 1 NO contact on each switch
Contact Material	Silver
Rated insulation voltage $U_i$	300 V
Rated impulse withstand voltage $U_{imp}$	4 kV
Continuous current $I_{th}$	10 A
Rated operating current/voltage $I_e/U_e$	3 A (240 VAC)
Positive opening force	min. 40 N
Mechanical Life	$10 \times 10^6$ operations
Actuating speed	Maximum 0.5 m/s; minimum 10 mm/min
Switching frequency	Maximum 5000/h
Protection class	IP66, IP67
Lateral cable routing	2 x 1/2" NPT - all conduit
Connection cross-section	Minimum 0.75 mm <sup>2</sup> (including wire end ferrule) Maximum 2.5 mm <sup>2</sup> (including wire end sleeve)



TECHNICAL DATA

PILOT LINE LOCK-OUT VALVE

The Viking Corporation | 210 N Industrial Park Drive | Hastings MI 49058  
Viking Special Hazards | Technical Services: 877-384-5464 | Email: techsvcs@vikingcorp.com | www.vikinggroupinc.com  
The technical data described herein is for components of the Viking Oxexo PR Fire Extinguishing Systems.  
Visit the Viking website for the latest edition of the technical data and system manuals.

Units  
Inches (mm)

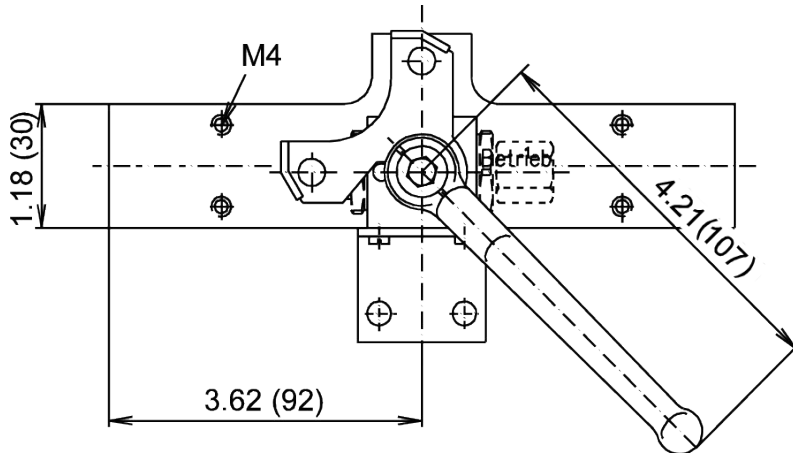


Figure 1: Dimensions

Units  
Inches (mm)

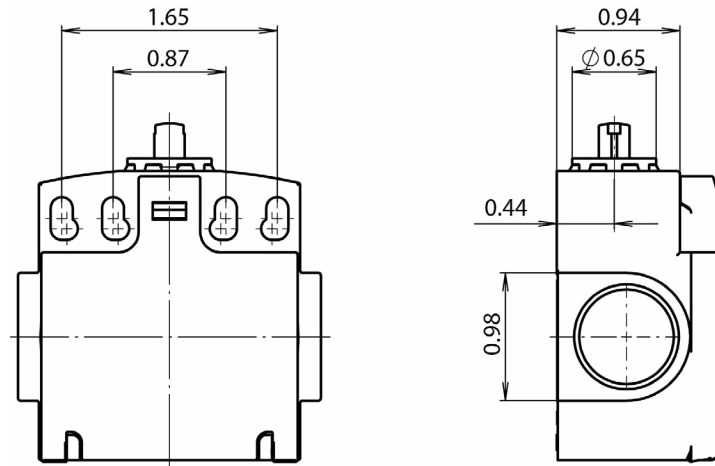


Figure 2: Limit Dimensions