



TECHNICAL DATA

AGENT SUPPLY LOCK-OUT VALVE

The Viking Corporation | 210 N Industrial Park Drive | Hastings MI 49058

Viking Special Hazards | Technical Services: 877-384-5464 | Email: techsvcs@vikingcorp.com | www.vikinggroupinc.com

The technical data described herein is for components of the Viking Oxeo PR Fire Extinguishing Systems.

Visit the Viking website for the latest edition of the technical data and system manuals.

1. DESCRIPTION

The Oxeo lock-out valve assembly is designed for use in inert gas fire extinguishing systems. The lock-out valve is used for flow control with electrical monitoring of the flow condition.

Flow states can be:

- Closed = no flow
- Opened = flow possible

The ball valve is opened or closed by turning the handle 90 degrees. The monitor component verifies whether the ball valve is fully closed or fully open. The switch plate is marked with "Closed" or "Open," and actuates the corresponding limit switch. The switch plate and holder are provided with holes to allow the ball valve to be locked in position by means of a U-lock. Flow direction is indicated by a marking on the side of the ball valve.

2. LISTINGS AND APPROVALS



cULus Listed - EX5248 (Oxeo PR CF)

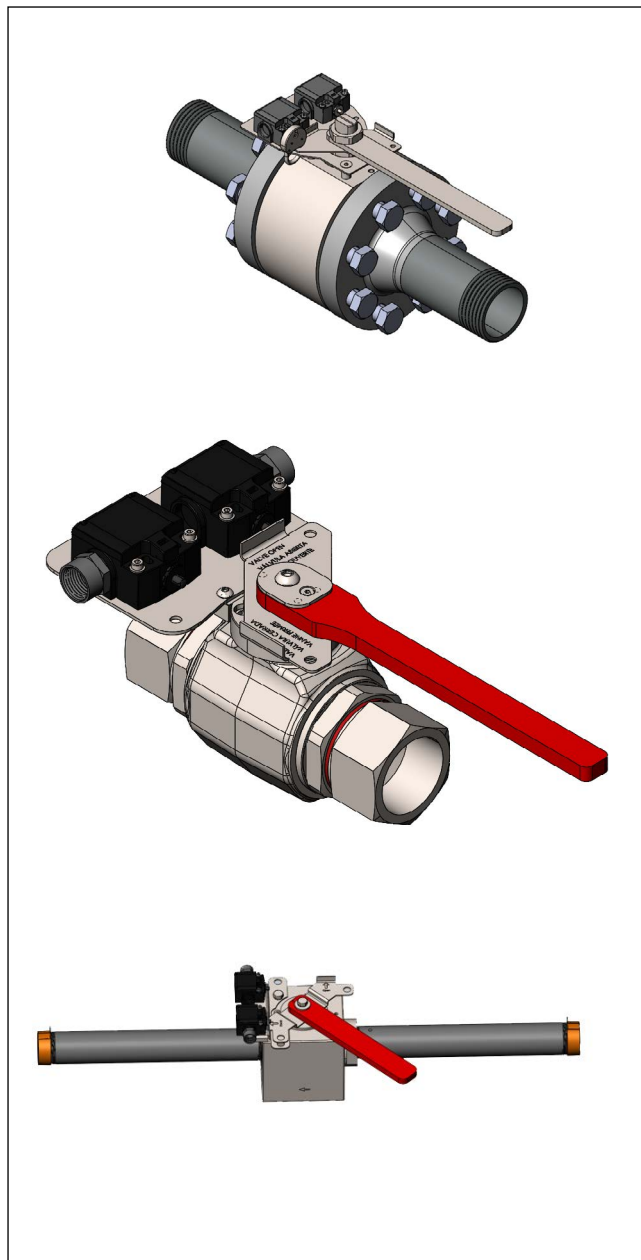


FM Approved: Oxeo PR CF

Designation	Weight	Part no.
CF Lock-out valve assembly - 1"	31.1 lb (14.1 kg)	4005115D
CF Lock-out valve assembly - 1.5"	39.0 lb (17.7 kg)	4005116D
CF Lock-out valve assembly - 2"	57.5 lb (26.1 kg)	4005117D
CF Lock-out valve assembly - 2.5"	85.0 lb (38.6 kg)	4005082D
CF Lock-out valve assembly - 3"	92.6 lb (42.0 kg)	4005083D
CF Lock-out valve assembly - 4"	161.6 lb (73.3 kg)	4005084D
PR Lock-out valve assembly	70.6 lb (32 kg)	24768



WARNING: Cancer and Reproductive Harm-
www.P65Warnings.ca.gov





TECHNICAL DATA

AGENT SUPPLY LOCK-OUT VALVE

The Viking Corporation | 210 N Industrial Park Drive | Hastings MI 49058

Viking Special Hazards | Technical Services: 877-384-5464 | Email: techsvcs@vikingcorp.com | www.vikinggroupinc.com

The technical data described herein is for components of the Viking Oxexo PR Fire Extinguishing Systems.

Visit the Viking website for the latest edition of the technical data and system manuals.

CAUTION

Heavy Object

May cause muscle stress or back injury. Use lifting aids and proper lifting technique when lifting or moving

3. TECHNICAL DATA

3.1 - Specifications and Ratings	
Parameter	Value
Operating medium	Argon
	Nitrogen
Working pressure	PR: 5294 psi (365 bar)
	CF: 2031 psi (140 bar)
Test pressure	PR: 7948 psi (548 bar)
	CF: 3045 psi (210 bar)
Temperature range	PR: -22 °F to 176 °F (-30 °C to +80 °C)
	CF: -4 °F to 131 °F (-20 °C to 55 °C)
Ball valve (body/spigot/cover) material	Steel
Pipe nipple material	Steel, galvanized
Limit switch (part no. 930351)	
Type	PS226-Z11-S200; Actuator type B according to DIN EN 50047 (pressure bolt S200)
Housing	Glass-fiber reinforced thermoplastic, self-extinguishing
Switching system	Snap-action switching with positive break NC contact
Contacts	1 NC contact, 1 NO contact on each switch
Contact material	Silver
Rated insulation voltage U_i	300 V
Rated impulse withstand voltage U_{imp}	4 kV
Continuous current I_{th}	10 A
Rated operating current/voltage I_e/U_e	3 A (240 VAC)
Positive opening force	min. 40 N
Mech. Life	10 x 10 ⁶ operations
Actuating speed	max. 0.5 m/s; min 10 mm/min
Switching frequency	max. 5000/h
Protection class	IP66, IP67
Lateral cable routing	2 x 1/2" NPT - all conduit
Connection cross-section	min. 0.75 mm ² (including wire end ferrule); max. 2.5 mm ² (including wire end sleeve)



TECHNICAL DATA

**AGENT SUPPLY
LOCK-OUT VALVE**

The Viking Corporation | 210 N Industrial Park Drive | Hastings MI 49058
Viking Special Hazards | Technical Services: 877-384-5464 | Email: techsvcs@vikingcorp.com | www.vikinggroupinc.com
The technical data described herein is for components of the Viking Oxexo PR Fire Extinguishing Systems.
Visit the Viking website for the latest edition of the technical data and system manuals.

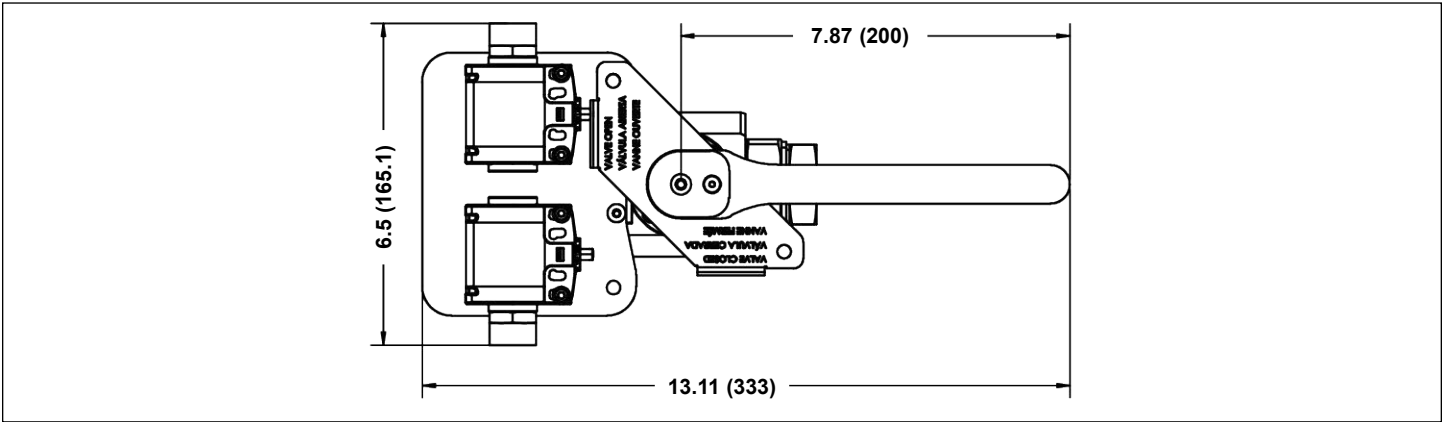


Figure 1: Dimensions - CF system 1 inch

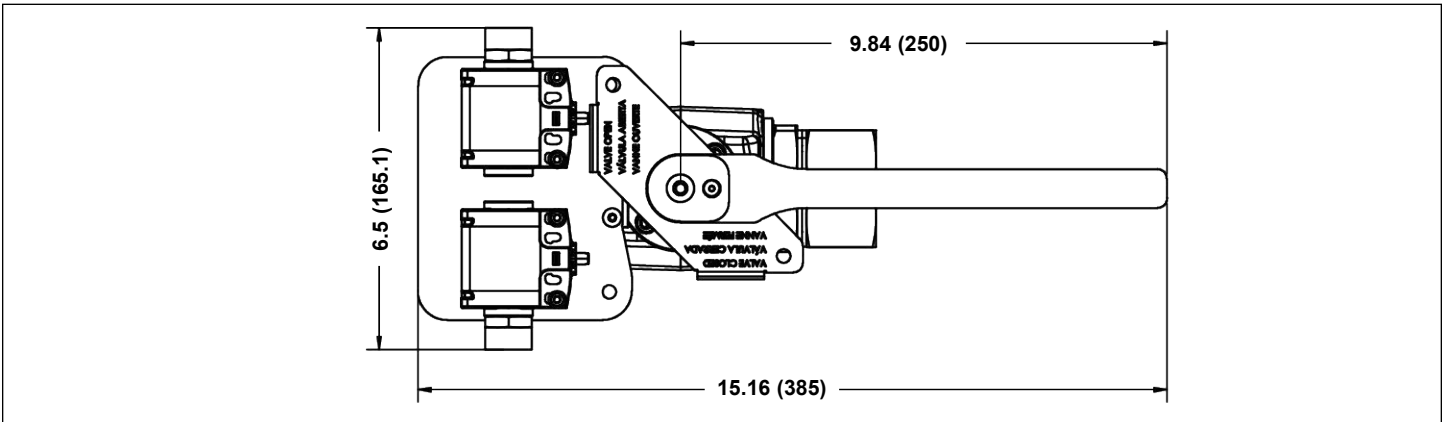


Figure 2: Dimensions - CF system 1.5 inch

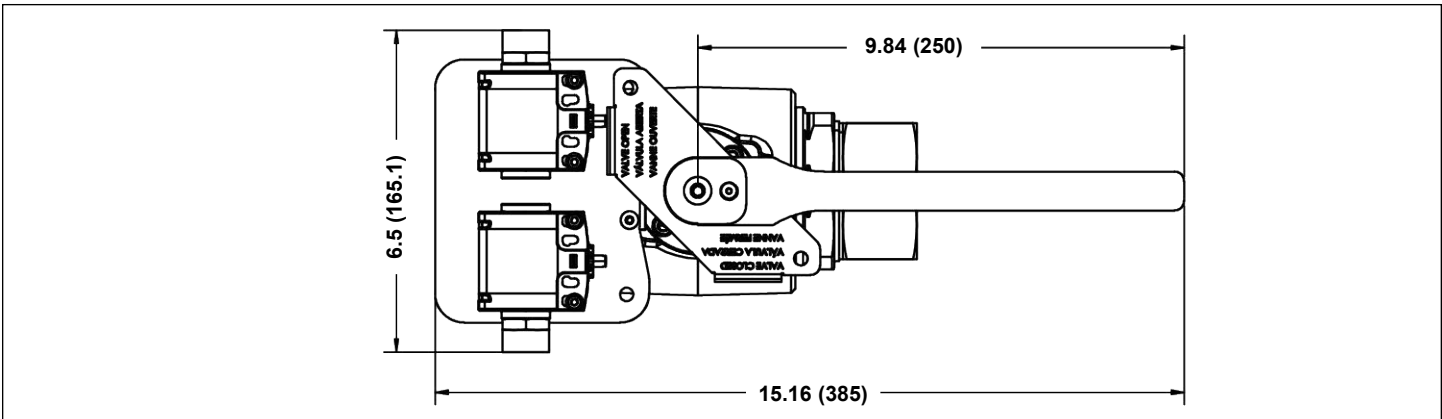


Figure 3: Dimensions - CF system 2 inch



TECHNICAL DATA

**AGENT SUPPLY
LOCK-OUT VALVE**

The Viking Corporation | 210 N Industrial Park Drive | Hastings MI 49058
Viking Special Hazards | Technical Services: 877-384-5464 | Email: techsvcs@vikingcorp.com | www.vikinggroupinc.com
The technical data described herein is for components of the Viking Oxexo PR Fire Extinguishing Systems.
Visit the Viking website for the latest edition of the technical data and system manuals.

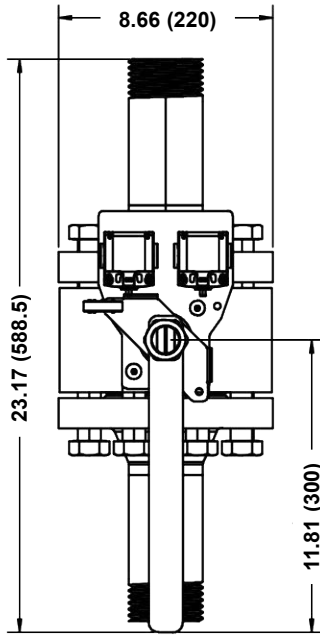


Figure 4: Dimensions - CF system 2.5 inch

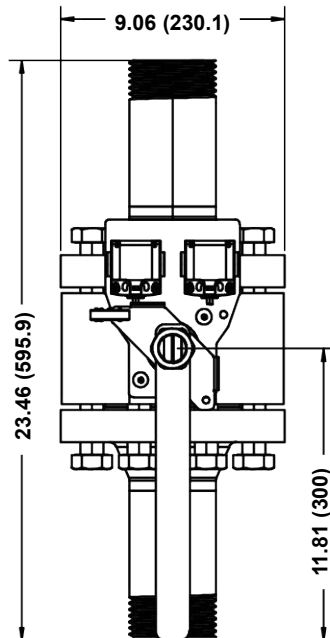


Figure 5: Dimensions - CF system 3 inch



TECHNICAL DATA

**AGENT SUPPLY
LOCK-OUT VALVE**

The Viking Corporation | 210 N Industrial Park Drive | Hastings MI 49058
Viking Special Hazards | Technical Services: 877-384-5464 | Email: techsvcs@vikingcorp.com | www.vikinggroupinc.com
The technical data described herein is for components of the Viking Oxexo PR Fire Extinguishing Systems.
Visit the Viking website for the latest edition of the technical data and system manuals.

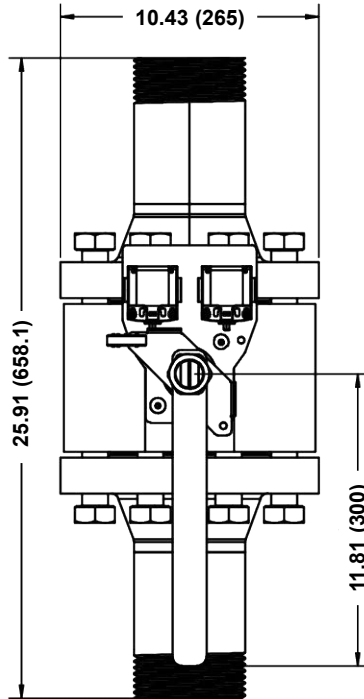


Figure 6: Dimensions - CF system 4 inch

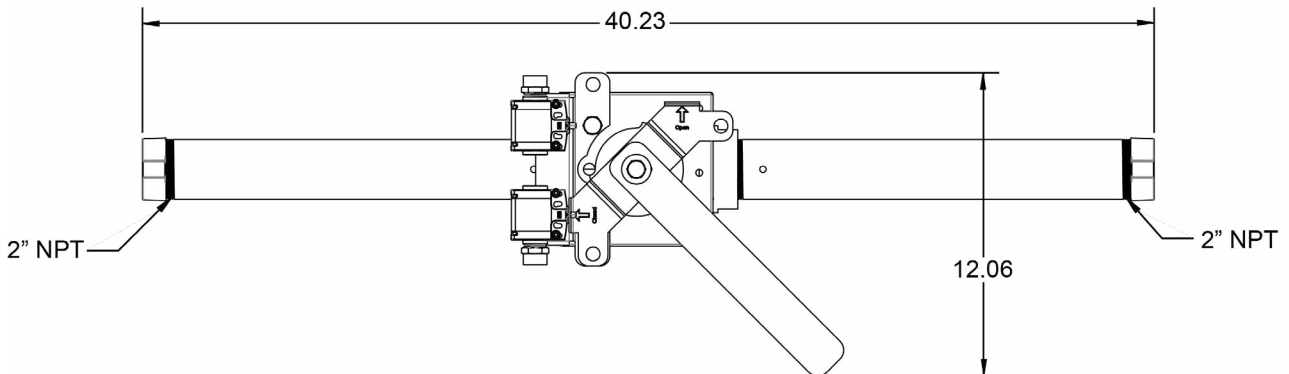


Figure 7: Dimensions - PR system lock-out valve