



**TECHNICAL DATA**

**OXEO MANIFOLD  
PRESSURE RELIEF  
957 PSI (66 BAR)**

The Viking Corporation | 210 N Industrial Park Drive | Hastings MI 49058  
 Viking Special Hazards | Technical Services: 877-384-5464 | Email: techsvcs@vikingcorp.com | www.vikinggroupinc.com  
 The technical data described herein is for components of the Viking Oxexo PR Fire Extinguishing Systems.  
 Visit the Viking website for the latest edition of the technical data and system manuals.

**1. DESCRIPTION / FUNCTION**

The Oxexo manifold pressure relief devices operate to ensure the safety of the Oxexo inert gas fire protection system. The pressure reliefs are installed in-line with the manifold to ensure that the pressure does not increase to a level that would rupture the system piping.

**2. LISTINGS AND APPROVALS**

cULus Listed - EX5248 (Oxexo CF)

FM Approved: Oxexo CF

**3. TECHNICAL DATA**

**Specifications**

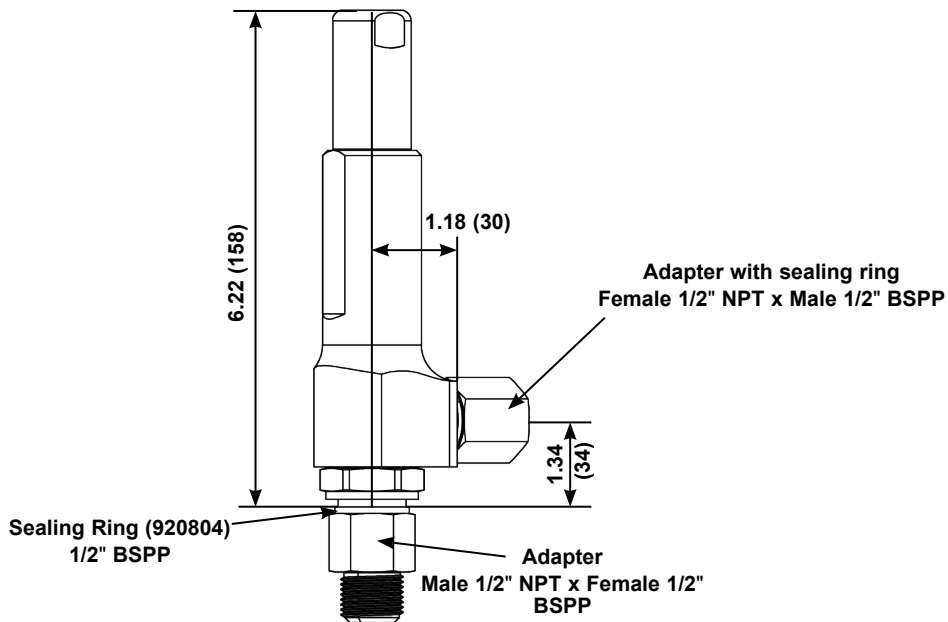
Type: 4373.2602  
 Operating medium: Argon (IG-01), Nitrogen (IG-100)  
 Operating temperature: 0° F to 122 °F (-18 °C to 50 °C)  
 Response pressure: 957 psi (66 bar) at 122 °F (50 °C)  
 Valve seat: metal seal  
 Thread: G1/8 ISO228 converted to 1/2" NPT  
 Orientation of device: Vertical  
 Gaseous flow rate: Argon (IG-01) - 1720 Nm<sup>3</sup>; Nitrogen - 1942 Nm<sup>3</sup>  
 Safety valve according to Pressure Equipment Directive 97/23/EC  
 Category IV



Designation	Part no.	Weight
Safety Valve 957 psi	888007D	2.65 lbs (1.2 kg)

**WARNING:** Cancer and Reproductive Harm-  
[www.P65Warnings.ca.gov](http://www.P65Warnings.ca.gov)

**Figure 1: Dimensions  
Inches (mm)**





**TECHNICAL DATA**

**OXEO MANIFOLD  
PRESSURE RELIEF  
957 PSI (66 BAR)**

The Viking Corporation | 210 N Industrial Park Drive | Hastings MI 49058  
Viking Special Hazards | Technical Services: 877-384-5464 | Email: techsvcs@vikingcorp.com | www.vikinggroupinc.com  
The technical data described herein is for components of the Viking Oxeo PR Fire Extinguishing Systems.  
Visit the Viking website for the latest edition of the technical data and system manuals.

**Figure 2: Replacement Parts**

