



TECHNICAL DATA

HOSE KIT WITH PRESSURE REDUCER AND GASKETS OXEO CF INERT GAS SYSTEMS

The Viking Corporation | 210 N Industrial Park Drive | Hastings MI 49058

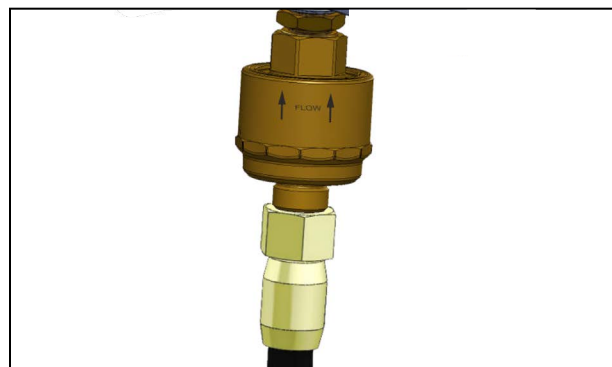
Viking Special Hazards | Technical Services: 877-384-5464 | Email: techsvcs@vikingcorp.com | www.vikinggroupinc.com

Visit the Viking website for the latest edition of the technical data and system manuals.

1. DESCRIPTION

The hose must only be used in accordance with system approval in argon and nitrogen fire extinguishing systems. The hose is used to connect the extinguishing agent cylinder with the check valve on the manifold.

The pressure control valve is specifically intended for use in constant flow (CF) inert-gas extinguishing systems. Once installed between the hose and the manifold, the pressure reducer serves to reduce the extinguishing agent container pressure from 200 bar (2900 psi) or 300 bar (4350 psi) to a lower pressure level for downstream system areas. The hose kit includes the hose, gaskets, and constant flow regulator.



2. LISTINGS AND APPROVALS



cULus Listed - EX5248 (Oxeo CF)



FM Approved: Oxeo CF

Designation	Part no.
Constant flow hose kit 14.8"	25763
Constant flow hose kit 23.6"	25764

3. TECHNICAL DATA

Hose Specifications

Operating mediums argon (IG-01), nitrogen (IG-100)

Nominal diameter DN12
 Bending radius ≥ 5.1 inches (130 mm)
 Temperature range -40 to 122 °F (-40 to 50 °C)
 Working pressure 5294 psi (365 bar)
 Test pressure 7948 psi (548 bar)
 Bursting strength minimum 15882 psi (1095 bar)
 Hose (type 1 connection) complies with EN 12094-8
 CE conformity according to Construction Products Regulation (EU) No. 305/201 NFPA tests according to NFPA 12 and NFPA 2001, pressure tested to 100%

Gasket material Vulcanized fiber

Pressure Reducer Specifications

Operating mediums argon (IG-01), nitrogen (IG-100)

Working pressure maximum 5220 psi (360 bar)
 Static output pressure 870 ^{+29/-87} psi (60 ^{+2/-6} bar)
 Dynamic output pressure maximum 870 psi (60 bar)
 Temperature range -4 to 122 °F (-20 to 50 °C)
 Nominal diameter 0.47 in. (12 mm)
 Minimum outlet nozzle diameter 0.12 in. (3 mm)
 Assembly torque range 3.7 - 40.6 ft-lb (5 -55 Nm)
 Weight approx. 3.95 lbs (1.75 kgs)



WARNING: Cancer and Reproductive Harm-
www.P65Warnings.ca.gov



TECHNICAL DATA

**HOSE KIT WITH PRESSURE REDUCER AND GASKETS
OXEO CF INERT GAS SYSTEMS**

The Viking Corporation | 210 N Industrial Park Drive | Hastings MI 49058

Viking Special Hazards | Technical Services: 877-384-5464 | Email: techsvcs@vikingcorp.com | www.vikinggroupinc.com

Visit the Viking website for the latest edition of the technical data and system manuals.

Materials

Pressure-bearing components, including enclosure Brass, stainless steel

Seal materials EPDM, PUR, PA

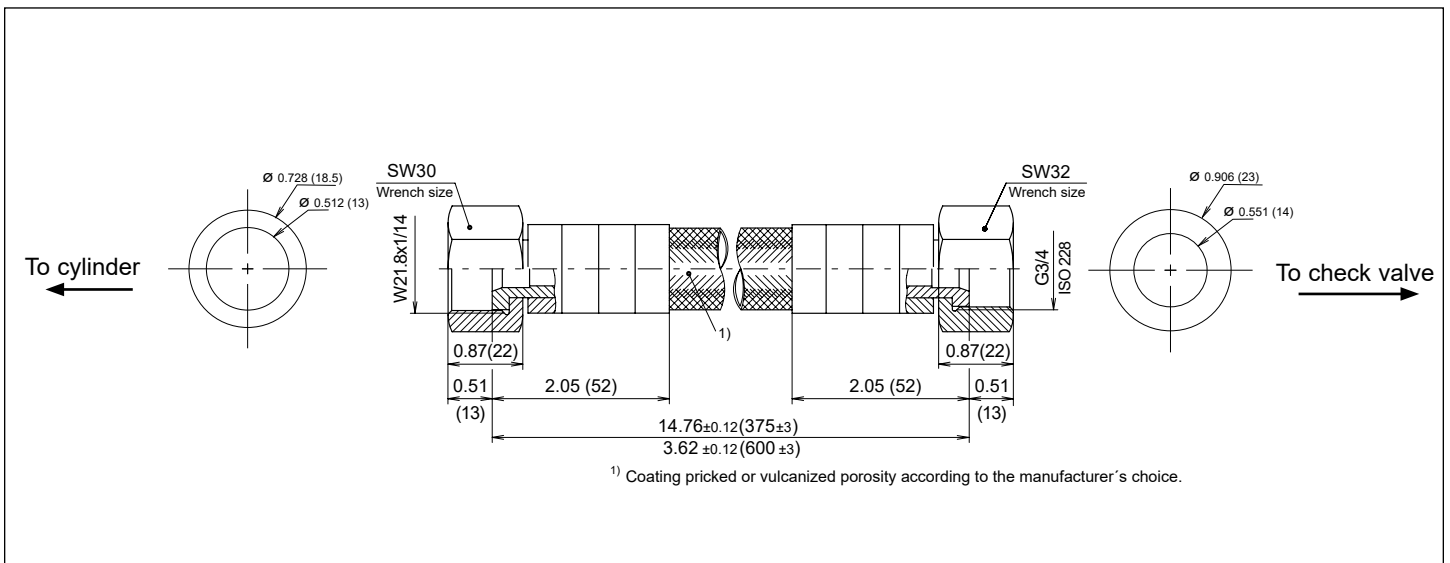


Figure 1: Hose dimensions in inches (mm)

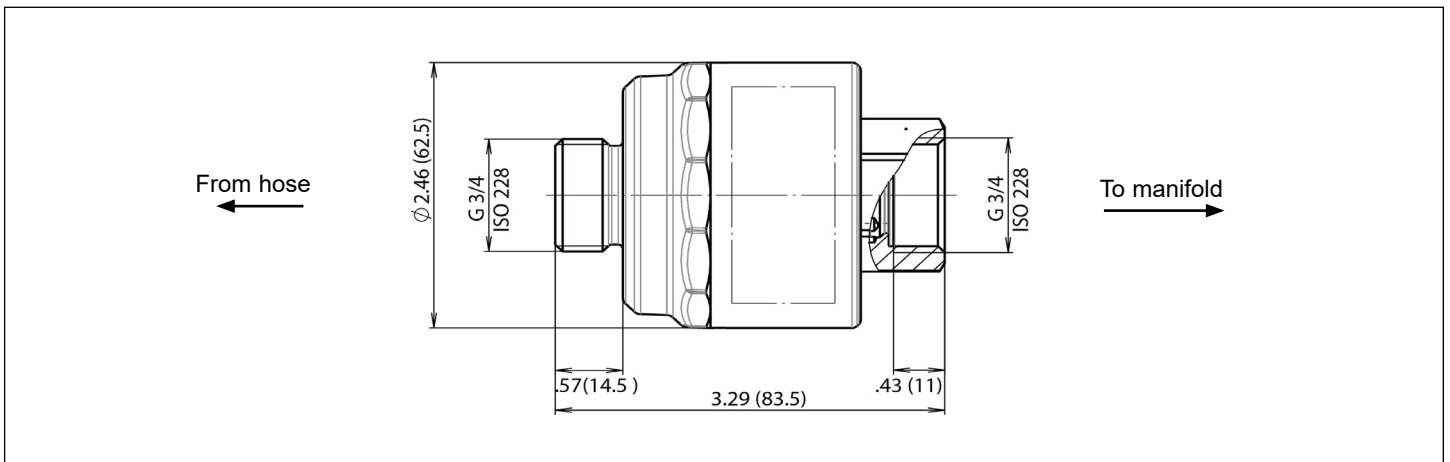


Figure 2: Pressure reducer dimensions in inches (mm)