



TECHNICAL DATA

OXEO MZ-1

The Viking Corporation | 210 N Industrial Park Drive | Hastings MI 49058

Viking Special Hazards | Technical Services: 877-384-5464 | Email: techsvcs@vikingcorp.com | www.vikinggroupinc.com

The technical data described herein is for components of the Viking Oxexo PR Fire Extinguishing Systems.


Visit the Viking website for the latest edition of the technical data and system manuals.


1. DESCRIPTION

The MZ-1 is the modular control unit within the Oxexo multi-zone system, and is used for ensuring the correct amount of extinguishant is deployed to the correct extinguishing zone. These quantities can be adjusted to fulfill the design requirements of each extinguishing zone. A maximum of 10 zones can be protected with the accompanying 5 extinguishing quantities. The control unit is intended for the use in IG-01 and IG-100 fire extinguishing systems. The MZ-1 controls all pneumatic system components via control gas from a pilot cylinder.

The MZ-1 is available in two versions, one with a changeover device for main and reserve tanks, and one without. Refer to the appropriate ordering table for each version.

2. LISTINGS AND APPROVALS

 cULus Listed - EX5248 (Oxexo PR CF)

 FM Approved: Oxexo PR CF

3. TECHNICAL DATA

Specifications

Operating medium: Nitrogen (IG-100)

Working pressure: 145 psi to 363 psi (10 bar to 25 bar)

Temperature range: -4 °F to 131 °F (-20 °C to +55 °C)

IP code: IP54

Electrical Data

Nominal voltage for coil: 24 V DC

Conductor cross-section:

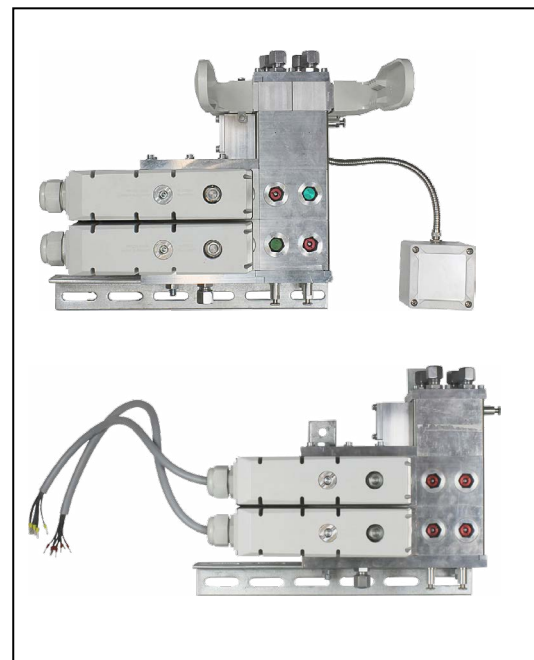
- Conductor, rigid: 0.2 mm² - 2.5 mm² (AWG 24 - AWG 14)

- (flexible without wire end ferrule: 0.2 mm² - 2.5 mm²)

- (flexible with wire end ferrule: 0.25 mm² - 2.5 mm²)

- according to UL/CUL: min. AWG 26, max. AWG 12

Stripping length: 0.39" (10 mm)



Designation	Part no.*	Weight
MZ-1 with main/ reserve changeover	930284	84.9 lb (38.5 kg)
MZ-1 without main/ reserve changeover	930212	78.5 lb (35.6 kg)

*Part numbers for the 5x5 configuration are given. For custom configurations, refer to tables 1 and 2.



WARNING: Cancer and Reproductive Harm-
www.P65Warnings.ca.gov



TECHNICAL DATA

OXEO MZ-1

The Viking Corporation | 210 N Industrial Park Drive | Hastings MI 49058

Viking Special Hazards | Technical Services: 877-384-5464 | Email: techsvcs@vikingcorp.com | www.vikinggroupinc.com

The technical data described herein is for components of the Viking Oxeo PR Fire Extinguishing Systems.

Visit the Viking website for the latest edition of the technical data and system manuals.

TABLE 1: Ordering information
MZ-1 with main/reserve changeover

Number of extinguishing zones	Part numbers				Weight lb (kg)
	2 tank divisions	3 tank divisions	4 tank divisions	5 tank divisions	
2	930269	930270	930271	930272	33.1 (15.0) 38.7 (17.4) 44.3 (20.1) 49.8 (22.6)
3	930273	930274	930275	930276	41.7 (18.9) 48.3 (21.9) 54.9 (24.9) 61.5 (27.9)
4	930277	930278	930279	930280	50.0 (22.7) 57.8 (26.2) 65.5 (29.7) 73.2 (33.2)
5	930281	930282	930283	930284	58.6 (26.6) 67.5 (30.6) 77.4 (35.1) 84.9 (38.5)
6	930285	930286	930287	930288	67.2 (30.5) 76.9 (34.9) 86.9 (39.4) 96.6 (43.8)
7	930289	930290	930291	930292	75.8 (34.4) 86.6 (39.3) 97.4 (44.2) 109 (49.2)
8	930293	930294	930295	930296	84.2 (38.2) 96.1 (43.6) 108 (49.1) 120 (54.5)
9	930297	930298	930299	930300	92.8 (42.1) 106 (47.9) 119 (53.9) 132 (59.8)
10	930301	930302	930303	930304	101 (46.0) 115 (52.3) 129 (58.7) 144 (65.1)



TECHNICAL DATA

OXEO MZ-1

The Viking Corporation | 210 N Industrial Park Drive | Hastings MI 49058

Viking Special Hazards | Technical Services: 877-384-5464 | Email: techsvcs@vikingcorp.com | www.vikinggroupinc.com

The technical data described herein is for components of the Viking Oxeo PR Fire Extinguishing Systems.

Visit the Viking website for the latest edition of the technical data and system manuals.

TABLE 2: Ordering information
MZ-1 without main/reserve changeover

Number of extinguishing zones	Part numbers				Weight lb (kg)
	2 tank divisions	3 tank divisions	4 tank divisions	5 tank divisions	
2	930197	930198	930199	930200	28.6 (13.0) 33.5 (15.2) 38.5 (17.5) 43.4 (19.7)
3	930201	930202	930203	930204	37.1 (16.8) 43.1 (19.5) 49.1 (22.3) 55.1 (25.0)
4	930205	930206	930207	930208	45.6 (20.7) 52.6 (23.9) 59.8 (27.1) 66.8 (30.3)
5	930209	930210	930211	930212	54.2 (24.6) 62.2 (28.2) 71.5 (32.5) 78.5 (35.6)
6	930213	930214	930215	930216	62.7 (28.4) 71.8 (32.6) 81.1 (36.8) 90.2 (40.9)
7	930217	930218	930219	930220	71.2 (32.3) 81.4 (36.9) 91.7 (41.6) 102 (46.2)
8	930221	930222	930223	930224	79.8 (36.2) 90.9 (41.3) 102 (46.5) 114 (51.5)
9	930225	930226	930227	930228	88.3 (40.1) 101 (45.6) 113 (51.3) 125 (56.8)
10	930229	930230	930231	930232	96.8 (43.9) 110 (49.9) 124 (56.1) 137 (62.1)



TECHNICAL DATA

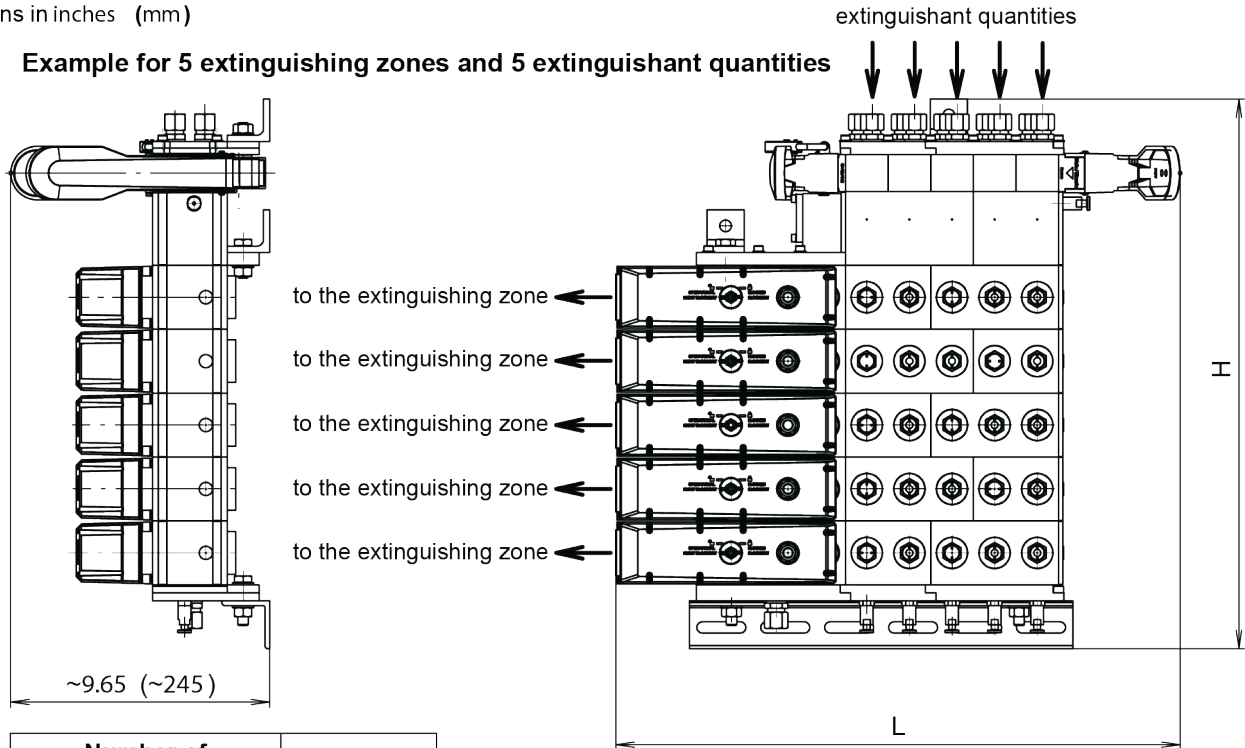
OXEO MZ-1

The Viking Corporation | 210 N Industrial Park Drive | Hastings MI 49058
 Viking Special Hazards | Technical Services: 877-384-5464 | Email: techsvcs@vikingcorp.com | www.vikinggroupinc.com
 The technical data described herein is for components of the Viking Oxexo PR Fire Extinguishing Systems.
 Visit the Viking website for the latest edition of the technical data and system manuals.

Figure 1: MZ-1 with main/reserve switchover dimensions

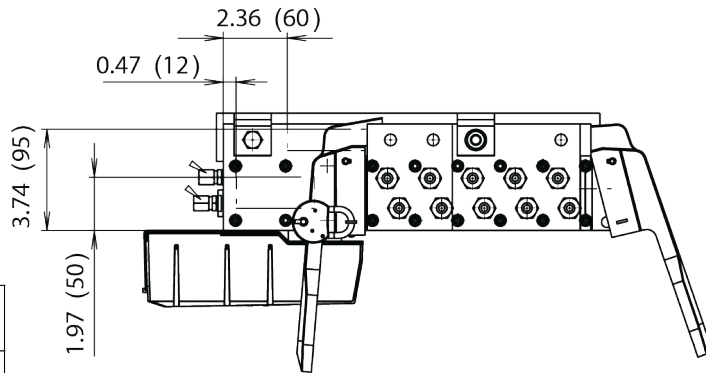
Dimensions in inches (mm)

Example for 5 extinguishing zones and 5 extinguishant quantities



Number of extinguishing zones	H
2	13.23 (336)
3	15.59 (396)
4	17.95 (456)
5	20.31 (516)
6	22.68 (576)
7	25.04 (636)
8	27.40 (696)
9	29.76 (756)
10	32.13 (816)

Number of tank divisions	L
2	16.93 (430)
3	18.50 (470)
4	20.08 (510)
5	21.65 (550)





TECHNICAL DATA

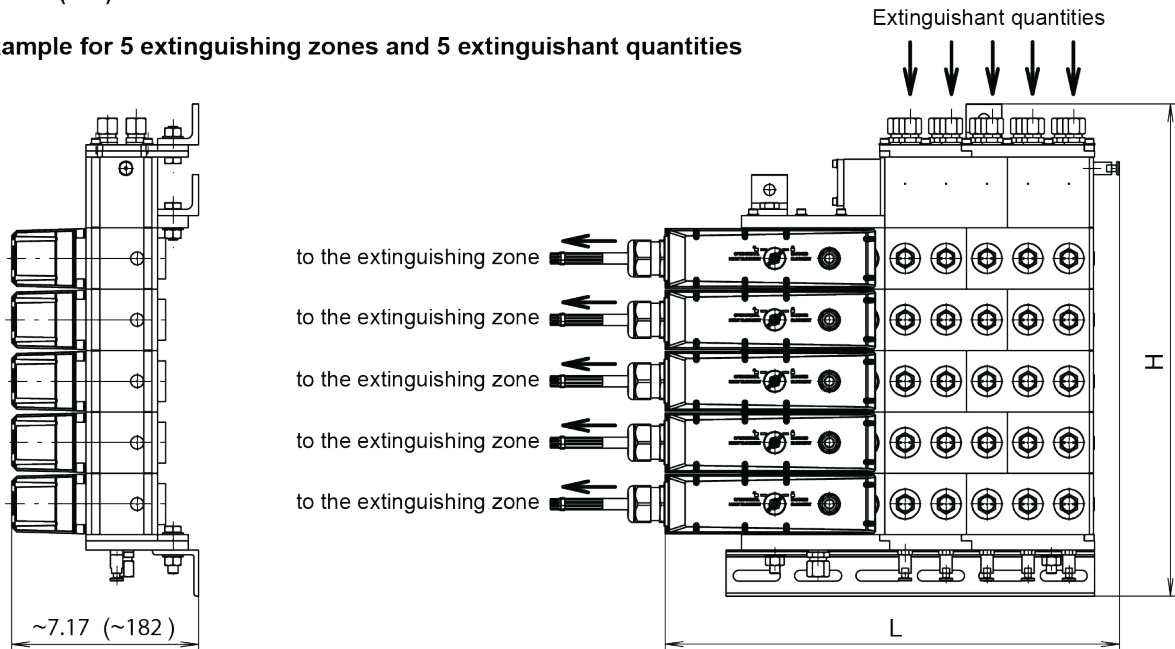
OXEO MZ-1

The Viking Corporation | 210 N Industrial Park Drive | Hastings MI 49058
 Viking Special Hazards | Technical Services: 877-384-5464 | Email: techsvcs@vikingcorp.com | www.vikinggroupinc.com
 The technical data described herein is for components of the Viking Oxeo PR Fire Extinguishing Systems.
 Visit the Viking website for the latest edition of the technical data and system manuals.

Figure 2: MZ-1 without main/reserve switchover dimensions

Dimensions in inches (mm)

Example for 5 extinguishing zones and 5 extinguishant quantities



Number of extinguishing zones	H
2	11.85 (301)
3	14.21 (361)
4	16.57 (421)
5	18.94 (481)
6	21.30 (541)
7	23.66 (601)
8	26.02 (661)
9	28.39 (721)
10	30.75 (781)

Number of tank divisions	L
2	14.21 (361)
3	15.79 (401)
4	17.36 (441)
5	18.94 (481)

