



TRIM DIAGRAM

**MODEL VXD DOUBLE
INTERLOCK PREACTION
SYSTEM WITH ELECTRIC/
PNEUMATIC RELEASE 6"**

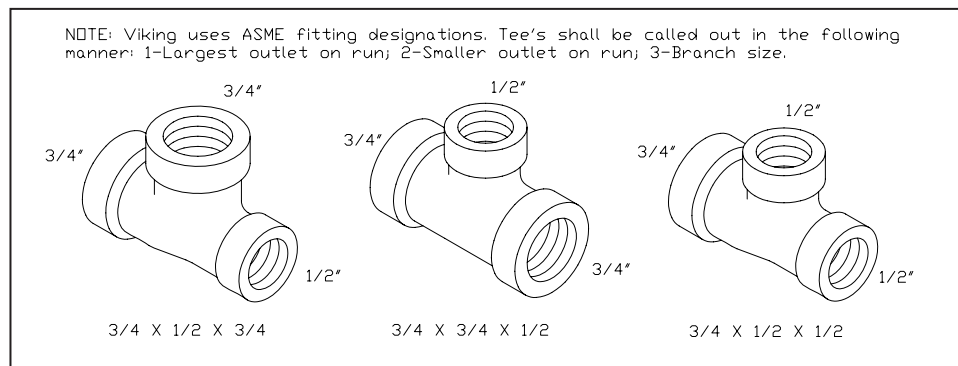
The Viking Corporation, 210 N Industrial Park Drive, Hastings MI 49058
 Telephone: 269-945-9501 Technical Services: 877-384-5464 Fax: 269-818-1680 Email: techsvcs@vikingcorp.com
 Visit the Viking website for the latest edition of this technical data page.



WARNING: Cancer and Reproductive Harm-
www.P65Warnings.ca.gov

General Notes:

- Valve must be trimmed as shown. Any deviation from trim size or arrangement may affect the proper operation of the valve.
- All pipe, 3/4" (20 mm) and smaller, shall be galvanized steel eXcept when other materials are specified in the Technical Data for the system used.
- Viking uses ASME fitting designations. Tees shall be called out in the following order: 1 - Largest outlet on run; 2 - Smaller outlet on run; 3 - Branch size.

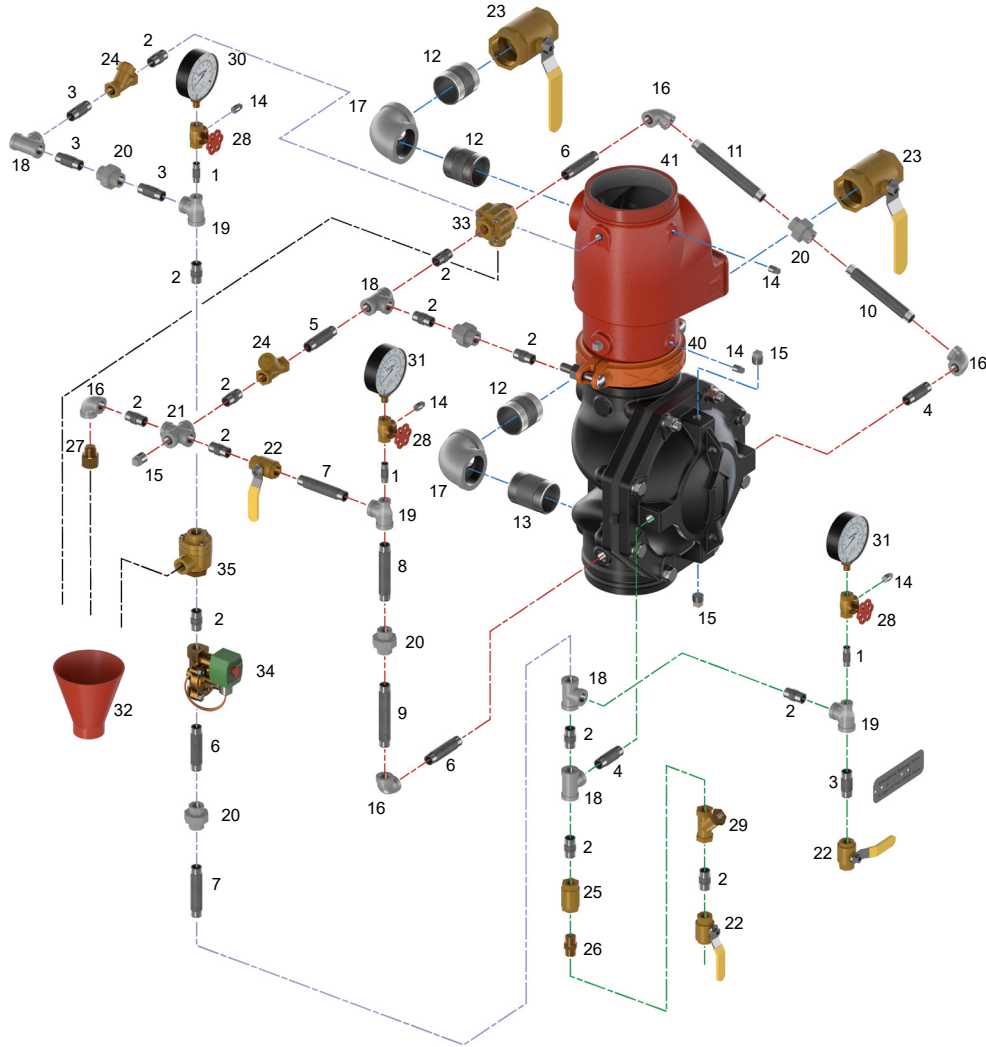




TRIM DIAGRAM

MODEL VXD DOUBLE INTERLOCK PREACTION SYSTEM WITH ELECTRIC/PNEUMATIC RELEASE 6"

The Viking Corporation, 210 N Industrial Park Drive, Hastings MI 49058
 Telephone: 269-945-9501 Technical Services: 877-384-5464 Fax: 269-818-1680 Email: techsvcs@vikingcorp.com
 Visit the Viking website for the latest edition of this technical data page.



#	Description/Specification	Metric Length	Quantity
1	1/4" X 1-1/2"	38 mm	3
2	1/2" X 1-1/2"	38 mm	13
3	1/2" X 2"	51 mm	4
4	1/2" X 2-1/2"	64 mm	2
5	1/2" X 3"	76 mm	1
6	1/2" X 3-1/2"	89 mm	3
7	1/2" X 4"	102	2
8	1/2" X 4-1/2"	115 mm	1
9	1/2" X 5"	127 mm	1
10	1/2" X 6"	152 mm	1
11	1/2" X 6-1/2"	165 mm	1
12	2" X 2-1/2"	64 mm	3
13	2" X 3"	76 mm	1
14	1/4" plug	--	5
15	1/2" plug	--	3
16	1/2" elbow	--	4
17	2" elbow	--	2
18	1/2" tee	--	4

#	Description/Specification	Metric Length	Quantity
19	1/2" X 1/4" X 1/2" tee	--	3
20	1/2" union	--	5
21	1/2" cross	--	1
22	1/2" ball valve	--	3
23	2" ball valve	--	2
24	1/2" swing check valve	--	2
25	1/2" in-line check valve	--	1
26	1/8" restricted orifice	--	1
27	1/8" restricted orifice	--	1
28	1/4" side outlet valve	--	3
29	1/2" strainer	--	1
30	Air pressure gauge	--	1
31	Water pressure gauge	--	2
32	Drain cup	--	1
33	PORV	--	1
34	Solenoid (N.C.)	--	1
35	Pneumatic actuator	--	1
40	6" grooved coupling	--	1
41	6" check valve	--	1