



TECHNICAL DATA

RELEASE SOLENOID MONITOR DEVICE

The Viking Corporation | 210 N Industrial Park Drive | Hastings MI 49058

Viking Special Hazards | Technical Services: 877-384-5464 | Email: techsvcs@vikingcorp.com | www.vikinggroupinc.com

The technical data described herein is for components of the Viking Oxeo PR Fire Extinguishing Systems.

Visit the Viking website for the latest edition of the technical data and system manuals.

1. DESCRIPTION / FUNCTION

The release solenoid monitoring device makes it possible to monitor the electrical activation device on the valve. If the monitoring device is not properly installed, the limit switch sends a signal to the equipment room of the extinguishing system. As a result, an insufficient or incorrect assembly of the electrical activation device is signaled.

The monitoring device is exclusively used in argon (IG-01) and nitrogen (IG-100) fire extinguishing systems. The monitoring must only be used within the specified parameters and in accordance with the Authorities Having Jurisdiction.

2. LISTINGS AND APPROVALS



cULus Listed - EX5248 (Oxeo PR CF)



FM Approved: Oxeo PR CF

3. TECHNICAL DATA

Specifications

Limit switch type: PS226-Z11-R200

Housing: plastic, glass-fiber-reinforced

Protection class according to DIN 40050: IP66, IP67
according to IEC 60529

Contacts: 1 NC, 1 NO

Ambient temperature: -4 °F to 122 °F (-20 °C to +50 °C)

Switch system: Spring control, actuator type C to DIN EN 50047 (roller plunger R200)

Utilization category:

- AC-15: 240 VAC / 3 A
- DC-13: 24 VDC / 3 A

Dimensions (W x H x D): 3.93" x 4.72" x 3.54" (100 mm x 120 mm x 90 mm)

Tightening torque: 18.44 ± 2.95 ft-lb (25 ± 4 Nm)

Adapter included for 1/2" NPT conduit connections (all components come unassembled)



Designation	Part no.	Weight
Release solenoid monitor device	930865D	0.59 lbs (0.27 kg)



WARNING: Cancer and Reproductive Harm-
www.P65Warnings.ca.gov



TECHNICAL DATA

**RELEASE SOLENOID
MONITOR DEVICE**

The Viking Corporation | 210 N Industrial Park Drive | Hastings MI 49058
 Viking Special Hazards | Technical Services: 877-384-5464 | Email: techsvcs@vikingcorp.com | www.vikinggroupinc.com
 The technical data described herein is for components of the Viking Oxco PR Fire Extinguishing Systems.
 Visit the Viking website for the latest edition of the technical data and system manuals.

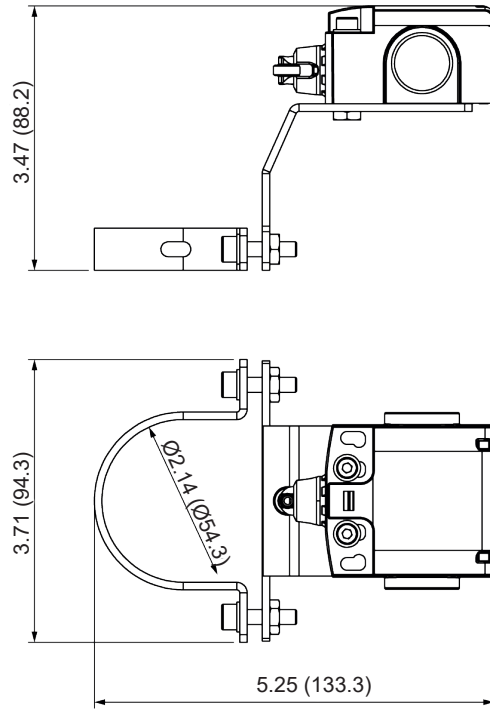
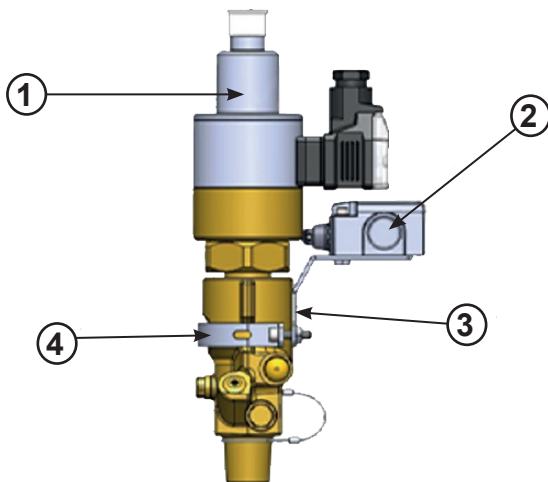


Figure 1: Dimension Drawing
Inches (mm)



1	Release solenoid
2	Limit switch
3	Support
4	Pipe clamp

Figure 2: Mounted Monitor Device