



TECHNICAL DATA

**OXEO MANIFOLD
PRESSURE RELIEF
4351 PSI (300 BAR)**

The Viking Corporation | 210 N Industrial Park Drive | Hastings MI 49058
 Viking Special Hazards | Technical Services: 877-384-5464 | Email: techsvcs@vikingcorp.com | www.vikinggroupinc.com
 The technical data described herein is for components of the Viking Oxexo PR Fire Extinguishing Systems.
 Visit the Viking website for the latest edition of the technical data and system manuals.

1. DESCRIPTION / FUNCTION

The Oxexo manifold pressure relief devices operate to ensure the safety of the Oxexo inert gas fire protection system. The pressure reliefs are installed in-line with the manifold before the pressure reducer to ensure that the pressure does not increase to a level that would rupture the system piping.

2. LISTINGS AND APPROVALS

cULus Listed - EX5248 (Oxexo PR)

FM Approved: Oxexo PR

3. TECHNICAL DATA

Specifications

Type: 1.1 C
 Operating medium: Argon (IG-01), Nitrogen (IG-100)
 Response pressure: 4351 psi (300 bar) at 122 °F (+50 °C)
 Valve seat: metal seal
 Thread: G1/8 ISO228 converted to 1/2" NPT
 Orientation of device: Vertical

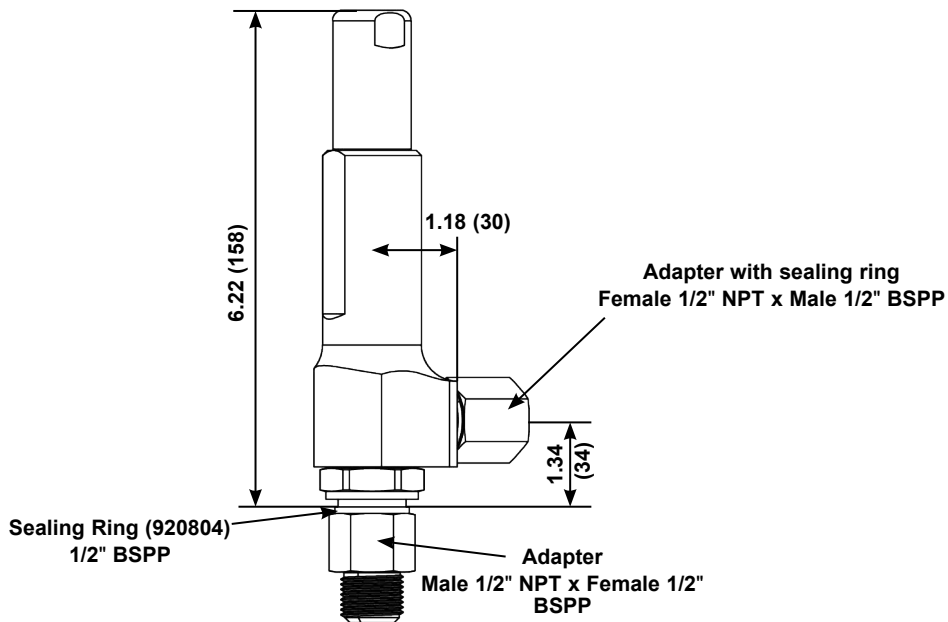


Designation	Part no.	Weight
Safety Valve 4351 psi	886281D	3.1 lbs (1.4 kg)

Safety valve according to Pressure Equipment Directive 97/23/EC Category IV

WARNING: Cancer and Reproductive Harm-
www.P65Warnings.ca.gov

**Figure 1: Dimensions
Inches (mm)**





TECHNICAL DATA

**OXEO MANIFOLD
PRESSURE RELIEF
4351 PSI (300 BAR)**

The Viking Corporation | 210 N Industrial Park Drive | Hastings MI 49058
Viking Special Hazards | Technical Services: 877-384-5464 | Email: techsvcs@vikingcorp.com | www.vikinggroupinc.com
The technical data described herein is for components of the Viking Oxeo PR Fire Extinguishing Systems.
Visit the Viking website for the latest edition of the technical data and system manuals.

