



TECHNICAL DATA

**HOSE KIT WITH GASKETS
INERT GAS SYSTEMS**

The Viking Corporation | 210 N Industrial Park Drive | Hastings MI 49058
 Viking Special Hazards | Technical Services: 877-384-5464 | Email: techsvcs@vikingcorp.com | www.vikinggroupinc.com
 Visit the Viking website for the latest edition of the technical data and system manuals.

1. DESCRIPTION

The hose must only be used in accordance with system approval in stationary argon, nitrogen and carbon dioxide fire extinguishing systems. The hose is used to connect the extinguishing agent cylinder with the manifold or rather the check valve.

2. LISTINGS AND APPROVALS

Listings and Approvals are in the name of the manufacturer on a component basis. Refer to the manufacturer's documentation for more information.

3. TECHNICAL DATA

Specifications

Operating mediums	argon (IG-01), nitrogen (IG-100), IG-55, IG-541, carbon dioxide (CO ₂)
Nominal diameter	DN12
Bending radius	≥ 5.1 inches (130 mm)
Temperature range	-40 to 122 °F (-40 to 50 °C)
Working pressure	5294 psi (365 bar)
Test pressure	7948 psi (548 bar)
Bursting strength	min 15882 psi (1095 bar)
Hose (type 1 connection)	complies with EN 12094-8 CE conformity according to Construction Products Regulation (EU) No. 305/201 NFPA tests according to NFPA 12 and NFPA 2001, pressure tested to 100%
Gasket material	Vulcanized fiber

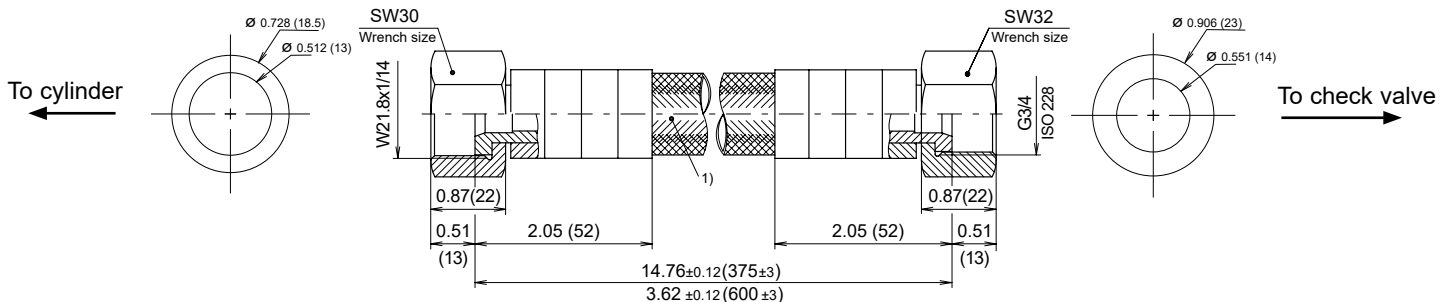


WARNING: Cancer and Reproductive Harm-
www.P65Warnings.ca.gov

Ordering Information:

- Part number 934921D: 375 mm Length (includes 2 gaskets)
- Part number 934922D: 600 mm Length (includes 2 gaskets) not a stocked item; lead time may apply
- Part number 149970: replacement gasket (cylinder)
- Part number 149890: replacement gasket (check valve)

Dimensions in inch (mm)



¹⁾ Coating pricked or vulcanized porosity according to the manufacturer's choice.